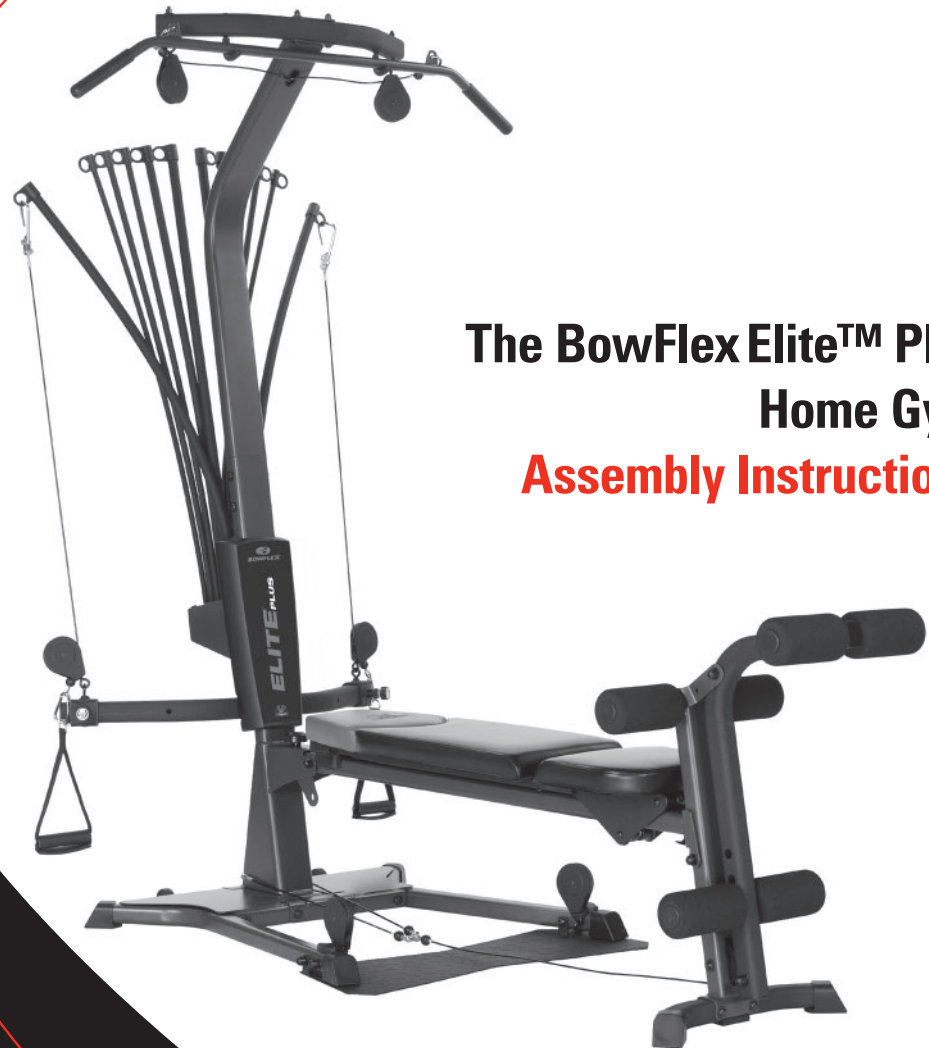




BOWFLEX[®]

ELITE™ PLUS



The BowFlex Elite™ Plus Home Gym **Assembly Instructions**



Get to Know Your Machine

CONGRATULATIONS on your commitment to improving your health and fitness! With the BowFlex Elite™ Plus home gym, you have everything you need to exceed all of your physical fitness, strength and health expectations!

The BowFlex Elite™ Plus home gym's exceptional resistance and quality is unmatched by any other single piece of home fitness equipment available. You will not believe the amazing results your body will get with the BowFlex Elite™ Plus home gym!

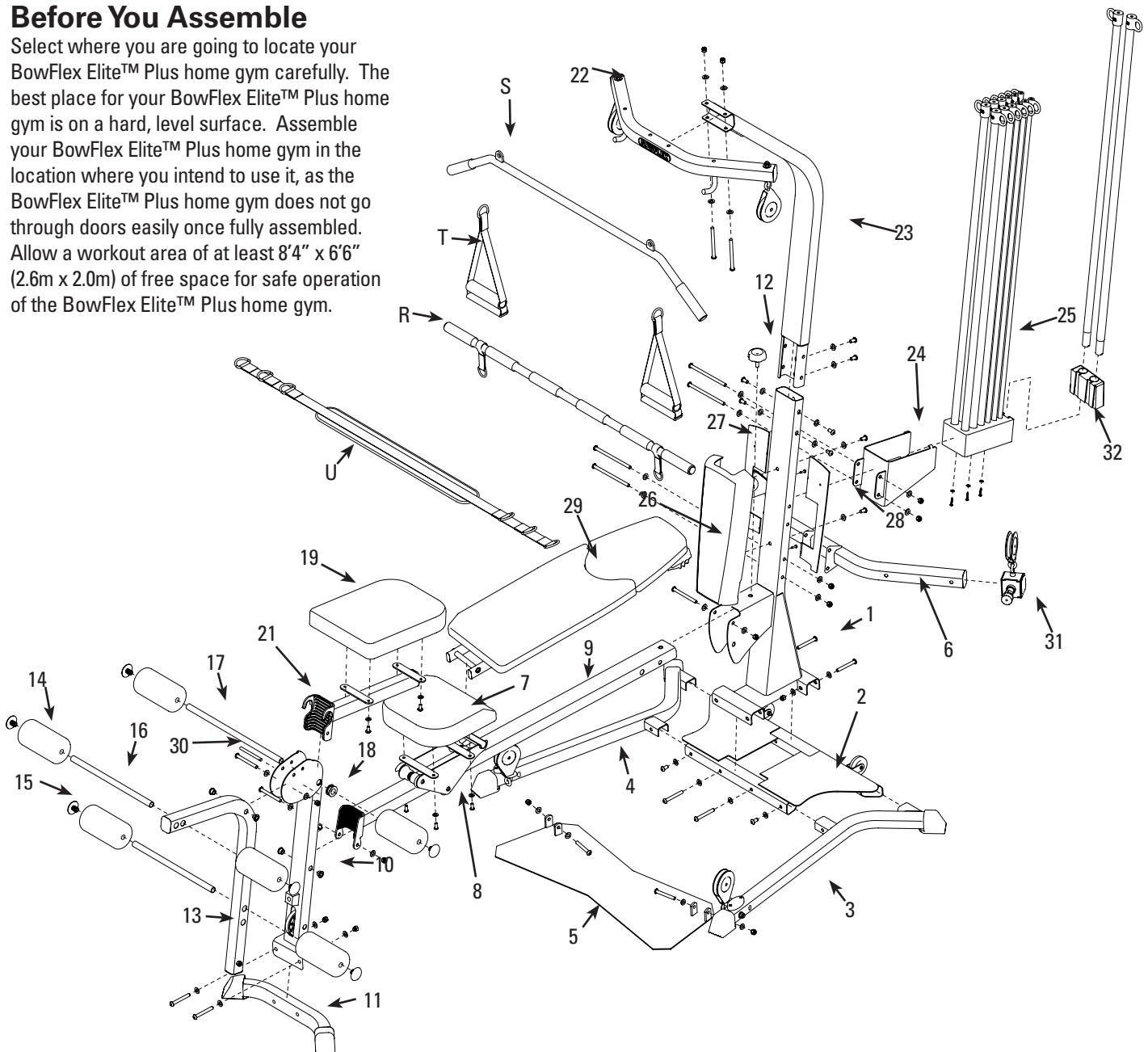
With all of the fitness choices available today, finding the best workout equipment for your needs can be confusing. Everyone at Nautilus would like to congratulate you and thank you for selecting the BowFlex Elite™ Plus home gym.

The BowFlex Elite™ Plus home gym is the best home fitness product available, and you're just about to prove it to yourself.



Before You Assemble

Select where you are going to locate your BowFlex Elite™ Plus home gym carefully. The best place for your BowFlex Elite™ Plus home gym is on a hard, level surface. Assemble your BowFlex Elite™ Plus home gym in the location where you intend to use it, as the BowFlex Elite™ Plus home gym does not go through doors easily once fully assembled. Allow a workout area of at least 8'4" x 6'6" (2.6m x 2.0m) of free space for safe operation of the BowFlex Elite™ Plus home gym.



Get To Know Your Machine

Basic Assembly Principles

Here are a few basic tips that will make your assembly of the BowFlex Elite™ Plus home gym quick and easy. By using these principles, you can simplify each process and save yourself extra time and effort.

1. To make the assembly process go faster, gather the pieces you need for each step and thoroughly read the assembly instructions for that step prior to starting assembly for the step.
2. When tightening a locknut on a bolt, use a combination wrench to grip the locknut and ensure that it is fastened securely.
3. When attaching two pieces, gently lift and look through the bolt holes to help guide the bolt through the holes.
4. As a general rule, and for all bolts and nuts on your BowFlex Elite™ Plus home gym, turn bolts or nuts toward the right to tighten and left to loosen. Or you can remember the mnemonic: "Righty tighty, lefty loosey."

Parts List*

Item No.	Qty.	Description
1	1	LOWER LAT TOWER
2	1	BASE PLATFORM
3	1	BASE RIGHT LEG
4	1	BASE LEFT LEG
5	1	SQUAT PLATFORM
6	1	CHEST BAR
7	1	SEAT PAD
8	1	SEAT BRACKET
9	1	SEAT RAIL
10	1	REAR LEG
11	1	REAR LEG CROSS TUBE
12	1	SEAT RAIL KNOB
13	1	LEG EXTENSION PIVOT TUBE
14	6	FOAM ROLLERS
15	6	FOAM ROLLER END CAPS
16	2	SHORT CHROME ROLLER TUBES
17	1	LONG CHROME ROLLER TUBE
18	2	ROLLER TUBE SPACERS
19	1	LEG EXTENSION SEAT PAD
21	1	LEG EXTENSION SEAT SUPPORT TUBE
22	1	LAT CROSS BAR
23	1	UPPER LAT TOWER
24	1	ROD BOX FRAME
25	1	ROD BOX WITH POWER ROD® UNIT
26	1	FACEPLATE
27	1	FACEPLATE BACK RIGHT
28	1	FACEPLATE BACK LEFT
29	1	BENCH PAD
30	1	LOCK OUT PIN
31	2	CHEST PULLEYS
32	1	100 POUND POWER ROD® UNIT

Hardware List*

Item No.	Qty.	Description
A	4	SCREW, #10 PHILLIPS HEAD
B	3	SCREW, #10 X 1" PHILLIPS HEAD
C	8	SCREW, 5/16" X 3/4" BUTTON HEAD
E	10	SCREW, 3/8" X 3/4" BUTTON HEAD
F	1	SCREW, 3/8" X 2 1/2" BUTTON HEAD
G	1	SCREW, 3/8" X 2 3/4" BUTTON HEAD
H	8	SCREW, 3/8" X 3" BUTTON HEAD
I	2	SCREW, 3/8" X 3 1/4" BUTTON HEAD
J	2	SCREW, 3/8" X 4 1/4" BUTTON HEAD
K	4	SCREW, 3/8" X 5" BUTTON HEAD
L	3	WASHER, 1/4"
M	8	WASHER 5/16"
N	46	WASHER, 3/8"
O	18	NYLOCK NUT 3/8"
Q	9	BOLT COVERS, 3/8"

Accessory List*

Item No.	Qty.	Description
R	1	SQUAT BAR
S	1	BENT LAT BAR
T	2	HAND GRIPS
U	1	ROWING BELT
V	2	SNAP HOOKS
W	2	SQUAT STRAPS
Y	2	ROD CABLES W/ 2 SNAP HOOKS (attached)
Z	2	LAT CABLES W/ 2 SNAP HOOKS (attached)
AA	1	LEG CABLE
BB	2	SQUAT CABLES W/ 2 SNAP HOOKS (attached)

NOTE: LEAVE ALL CABLES WRAPPED AND BAGGED UNTIL YOUR BOWFLEX ELITE™ PLUS HOME GYM IS FULLY ASSEMBLED.

*Specifications subject to change without notice.

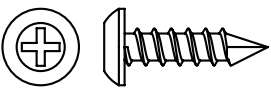
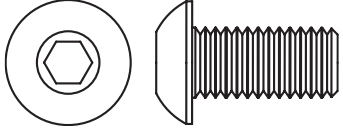
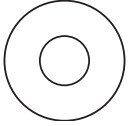
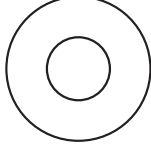
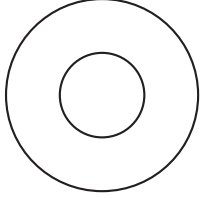
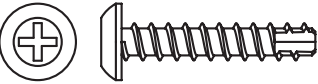
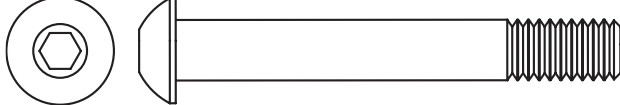

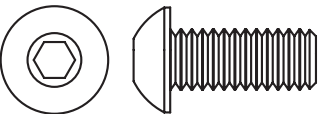
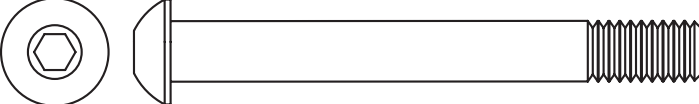
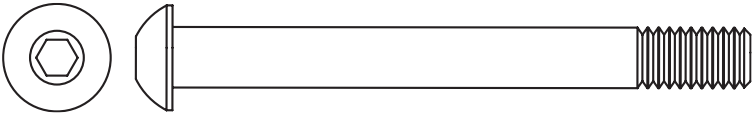
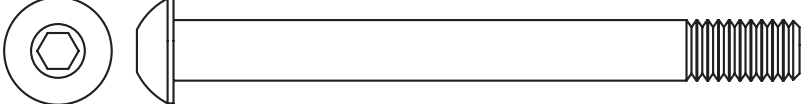
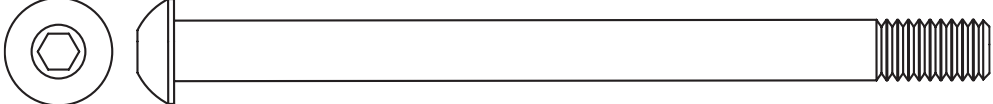
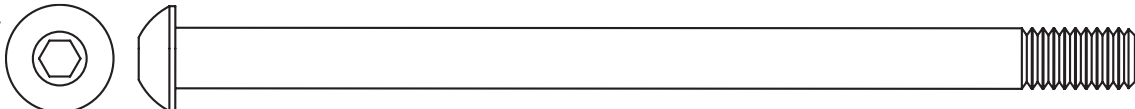
Hardware Guide

Tools You Will Need

You will need the following tools to complete the assembly of your BowFlex Elite™ Plus home gym. If you don't have these tools, you can find them at any hardware or department store for a reasonable price.

- 1/2" combination wrench
- 9/16" combination wrench
- Phillips screw driver
- Rubber mallet (optional)
- Utility Knife or Scissors
- (2) Allen Wrenches (included)

Note: Drawings are actual size

<p>Item #: A Qty.: 4 Descr: #10 X .75" Phillips Head Screw</p> 	<p>Item #: E Qty.: 10 Descr: 3/8" X 3/4" Button Head Screw</p> 	<p>Item #: L Qty.: 3 Descr: 1/4" Flat Washer</p> 	<p>Item #: M Qty.: 8 Descr: 5/16" Flat Washer</p> 	<p>Item # N Qty.: 46 Descr: 3/8" Flat Washer</p> 
<p>Item #: B Qty.: 3 Descr: #10 X 1" Phillips Head Screw</p> 	<p>Item #: F Qty.: 1 Descr: 3/8" X 2 1/2" Button Head Screw</p> 	<p>Item #: O Qty.: 18 Descr: 3/8" Nylock Nut</p> 		
<p>Item #: C Qty.: 8 Descr: 5/16" X 3/4" Button Head Screw</p> 	<p>Item #: G Qty.: 1 Descr: 3/8" X 2 3/4" Button Head Screw</p> 			
	<p>Item #: H Qty.: 8 Descr: 3/8" X 3" Button Head Screw</p> 			
	<p>Item #: I Qty.: 2 Descr: 3/8" X 3 1/4" Button Head Screw</p> 			
<p>Item #: J Qty.: 2 Descr: 3/8" X 4 1/4" Button Head Screw</p> 				
<p>Item #: K Qty.: 4 Descr: 3/8" X 5" Button Head Screw</p> 				

Assembly Guide

Step 1 - Attach the Lower Lat Tower to the Base Platform

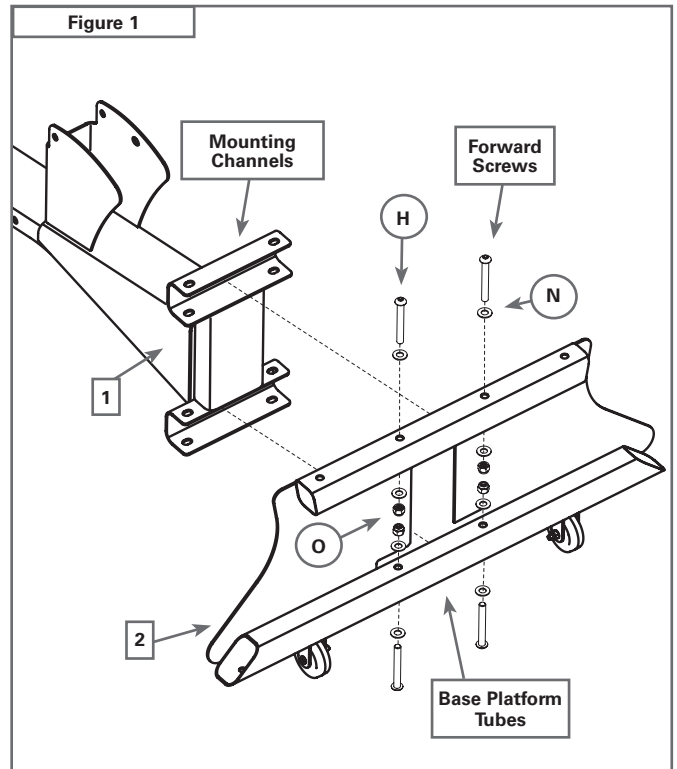
Locate the following items:

- Item #1 - Lower Lat Tower
- Item #2 - Base Platform
- Item #H - (4) 3/8" X 3" Button Head Screws
- Item #N - (8) 3/8" Washers
- Item #O - (4) 3/8" Nylock Nuts

Set the Base Platform (Item #2) onto the floor as shown in **Figure 1**. Line up the bolt holes in the mounting channels on the Lower Lat Tower (Item #1) with the holes in the Base Platform tubes.

Place (4) 3/8" Washers (Item #N) over the ends of (4) 3/8" X 3" Button Head Screws (Item #H) - one washer per screw.

Insert the forward screws through the bolt holes in the Lower Lat Tower and Base Platform first, then tip the Base Platform back to install rear screws. Place (4) 3/8" Washers over the ends of the screws, one washer per screw, and secure using (4) 3/8" Nylock Nuts (Item #O), as shown in **Figure 1**.



Completely tighten hardware installed during Step 1.

Step 2 - Attach the Base Legs to the Base Platform

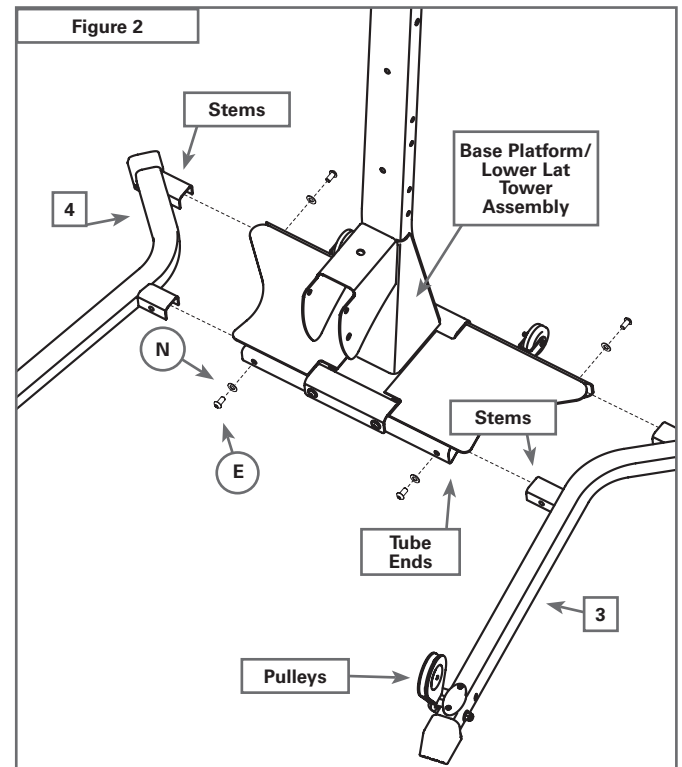
Locate the following items:

- From Step 1 - Base Platform/Lower Lat Tower Assembly
- Item #3 - Base Right Leg - Do not unwrap cables!
- Item #4 - Base Left Leg - Do not unwrap cables!
- Item #E - (4) 3/8" X 3/4" Button Head Screws
- Item #N - (4) 3/8" Washers

With the Base Platform/Lower Lat Tower Assembly (from Step 1) on the floor, insert the stems from each Base Leg into the tube ends on the Base Platform, as shown in **Figure 2**. Make sure to orient the 2 pulleys upward.

Carefully line up the two bolt holes on each Leg with the corresponding holes on the Base Platform/Lower Lat Tower Assembly.

Place (4) 3/8" Washers (Item #N) over the ends of (4) 3/8" X 3/4" Button Head Screws (Item #E) - one washer per screw. **Loosely** secure the Base Legs to the Base Platform Assembly with the screws and washers as shown in **Figure 2**.



Completely tighten hardware installed during Step 2.

Assembly Guide

Step 3 - Attach the Squat Platform to the Main Assembly

Locate the following items:

- From Step 2 - Base Platform/Lat Tower (Main) Assembly
- Item #5 - Squat Platform
- Item #I - (2) 3/8" X 3 1/4" Button Head Screws
- Item #N - (4) 3/8" Washers
- Item #O - (2) 3/8" Nylock Nuts
- Item #Q - (4) Bolt Covers

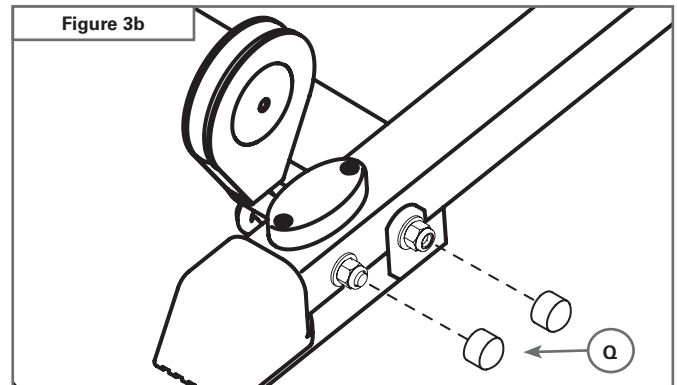
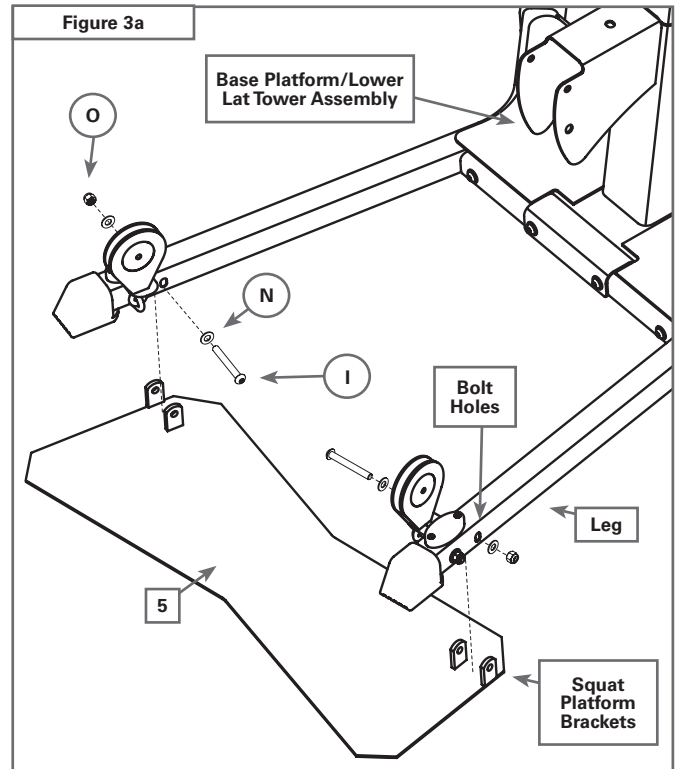
With the Base Frame/Lower Lat Tower (Main) Assembly (from Step 2) on the floor, carefully lift up the front of the unit, then slide the Squat Platform (Rubber-pad side down) underneath both Legs.

Line up the bolt holes in the brackets on the Squat Platform with the bolt holes on each Leg (directly behind the pulleys), as shown in **Figure 3a**.

Place (2) 3/8" Washers (Item #N) over the ends of (2) 3/8" X 3 1/4" Button Head Screws (Item #I) - one washer per screw. Insert the screws through the lined-up holes as shown, then place (2) 3/8" Washers and (2) 3/8" Nylock Nuts (Item #O) over the end of each screw, securely tightening them in place.

Completely tighten hardware installed during Step 3.

Place (2) Bolt Covers (Item #Q) over the Nylock Nuts installed in this step - one cover per nut. Then, place (2) additional Bolt Covers over the J-bolts, one cover per bolt, that attach the Pulleys to the Leg, as shown in **Figure 3b**.



Assembly Guide

Step 4 - Attach the Chest Bar with Pulleys to the Main Assembly

Locate the following items:

- From Step 3 - Main Assembly
- Item #6 - Chest Bar
- Item #31 - Chest Pulleys
- Item #K - (2) 3/8" X 5" Button Head Screws
- Item #N - (4) 3/8" Washers
- Item #O - (2) 3/8" Nylock Nuts

Line up the bolt holes in the brackets on the Chest Bar (Item #6) with the lowest bolt holes on the Lower Lat Tower, as shown in Figure 4.

Place (2) 3/8" Washers (Item #N) over the end of (2) 3/8" X 5" Button Head Screws (Item #K) - one washer per screw. Insert the screws through the lined up holes in the Chest Bar and the Lower Lat Tower, and secure each screw by placing (1) 3/8" Washers and (1) 3/8" Nylock Nuts (Item #O) over the end of each screw.

Remove the (2) 1/4" X 1/2" Socket Head Cap Screws from the underside of each end of the Chest Bar. Slide the Chest Pulleys (Item #31) over each end of the Chest Bar. Install (1) 1/4" X 1/2" Socket Head Cap Screw into the hole on the underside of each end of the Chest Bar. This prevents the Chest Pulleys from sliding off.

Completely tighten hardware installed during Step 4.

Step 5 - Attach the Seat Bracket to the Seat Pad

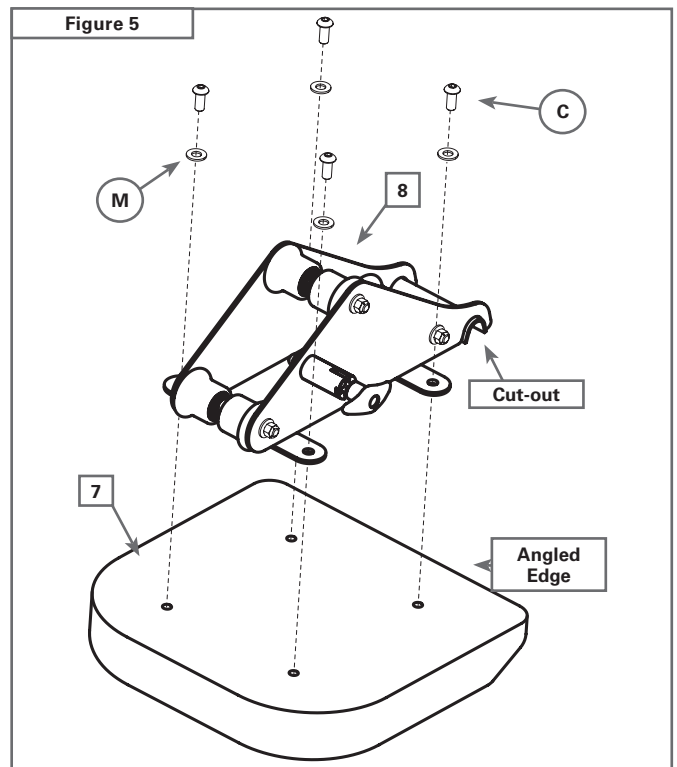
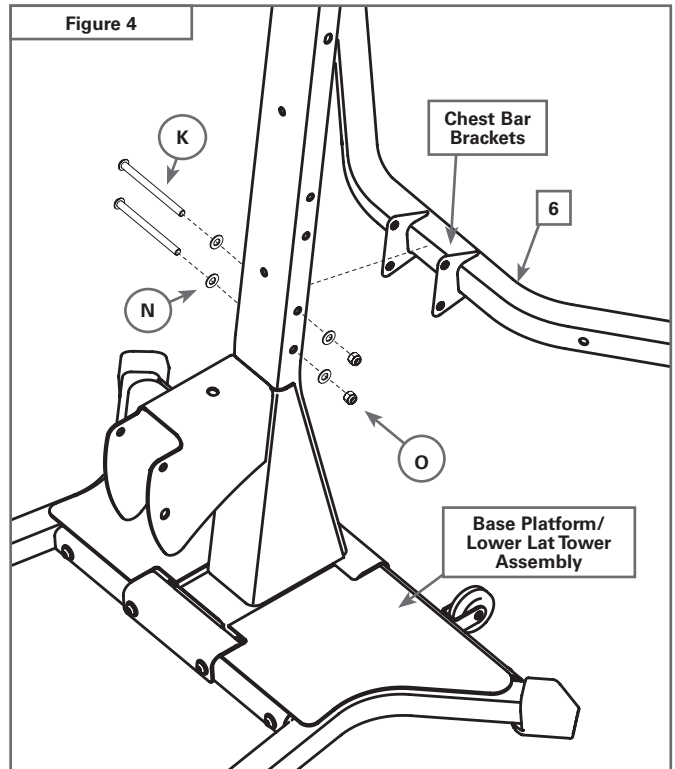
Locate the following items:

- Item #7 - Seat Pad
- Item #8 - Seat Bracket
- Item #C - (4) 5/16" X 3/4" Button Head Screws
- Item #M - (4) 5/16" Washers

Place the Seat Pad (Item #7) on the floor, cushion-side down. Position the Seat Bracket (Item #8) so the cut-out is toward the angled edge of the Seat Pad. Align the four holes in the Seat Bracket with the four holes in the Seat Pad.

Place (4) 5/16" Washers (Item #M) over (4) 5/16" X 3/4" Button Head Screws (Item #C) - one over each screw, and use those screws to secure the Seat Bracket to the Seat Pad.

Completely tighten hardware installed during Step 5.



Assembly Guide

Step 6 - Attach the Seat Rail to the Seat Assembly

Locate the following items:

- From Step 5 - Seat Pad/Seat Bracket Assembly
- Item #9 - Seat Rail

Undo the twist ties from the Rail Pivot Bushings and remove the Bushings. Set aside until the end of this step.

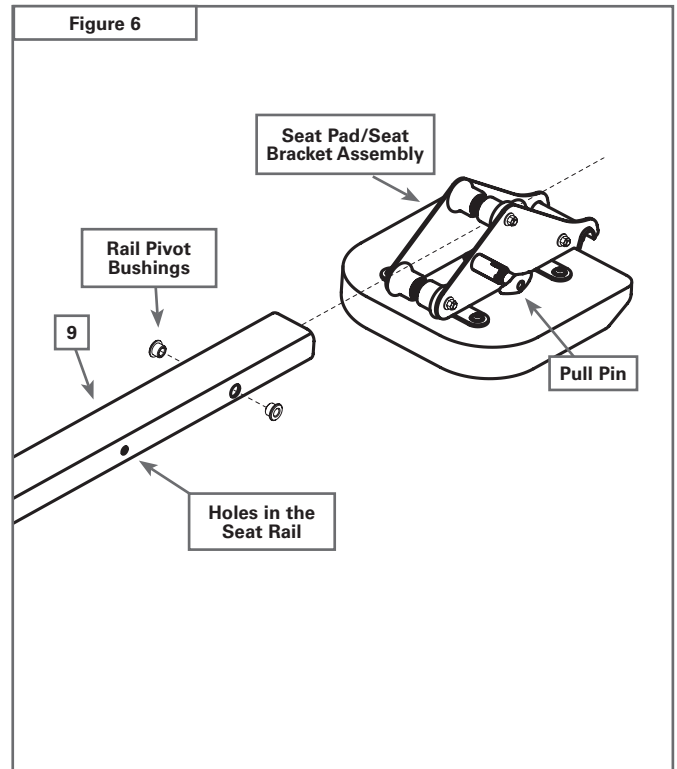
Line up the Seat Rail (Item #9) with the Seat Assembly (from Step 5). Orient the Seat Rail so that the Pull Pin on the Seat Bracket is on the same side as the holes in the Seat Rail.

Pull out the Pull Pin on the Seat Bracket, and then insert the Seat Rail through the Seat Bracket, (see **Figure 6**).

To adjust the Seat, slide the Seat until the Pull Pin is aligned with one hole, then release the Pull Pin into the hole.

Once you have attached the Seat Assembly to the Seat Rail, reinstall the Rail Pivot Bushings that you removed at the beginning of this step.

Note: See Step 22 to adjust the Seat Bracket.



Step 7 - Attach the Rear Leg to the Rear Leg Cross Tube

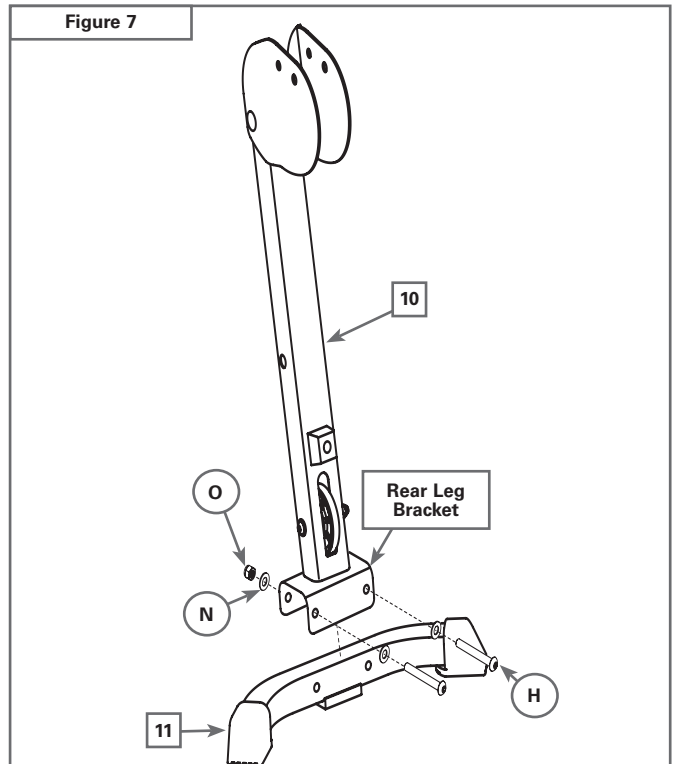
Locate the following items:

- Item #10 - Rear Leg - Do not unwrap cables!
- Item #11 - Rear Leg Cross Tube
- Item #H - (2) 3/8" X 3" Button Head Screws
- Item #N - (4) 3/8" Washers
- Item #O - (2) 3/8" Nylock Nuts

Line up the holes in the bracket on the Rear Leg (Item #10) with the holes in the Rear Leg Cross Tube (Item #11) as shown in **Figure 7**.

Place (2) 3/8" Washers (Item #N) over the end of (2) 3/8" X 3" Button Head Screws (Item #H) - one per each screw. Insert the screws through the lined up holes, and secure by placing (1) 3/8" Washer and (1) 3/8" Nylock Nut (Item #O) over the end of each screw, as shown in **Figure 7**.

Completely tighten hardware installed during Step 7.



Assembly Guide

Step 8 - Attach the Rear Leg to the Seat Rail

Locate the following items:

- From Step 6 - Seat Rail Assembly
- From Step 7 - Rear Leg Assembly
- Item #J - (1) 3/8" X 4 1/4" Button Head Screw
- Item #N - (2) 3/8" Washers
- Item #O - (1) 3/8" Nylock Nut
- Item #Q - (2) Bolt Covers

Undo the twist ties from the Pivot Bushings on the end of the Rear Leg Assembly (from Step 6), but do not remove the Bushings.

Note: When attaching the Rear Leg Assembly (from Step 7) to the Seat Rail Assembly, rotate the Rear Leg forward (as shown in Figure 8b), to allow the Leg Latch to engage with the Seat Rail Pull Pin.

Align the holes on the End Bracket of the Seat Rail Assembly with the middle holes on the Rear Leg Assembly, (see **Figure 8**).

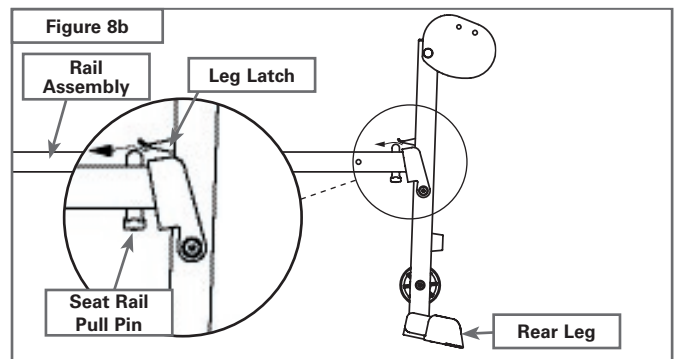
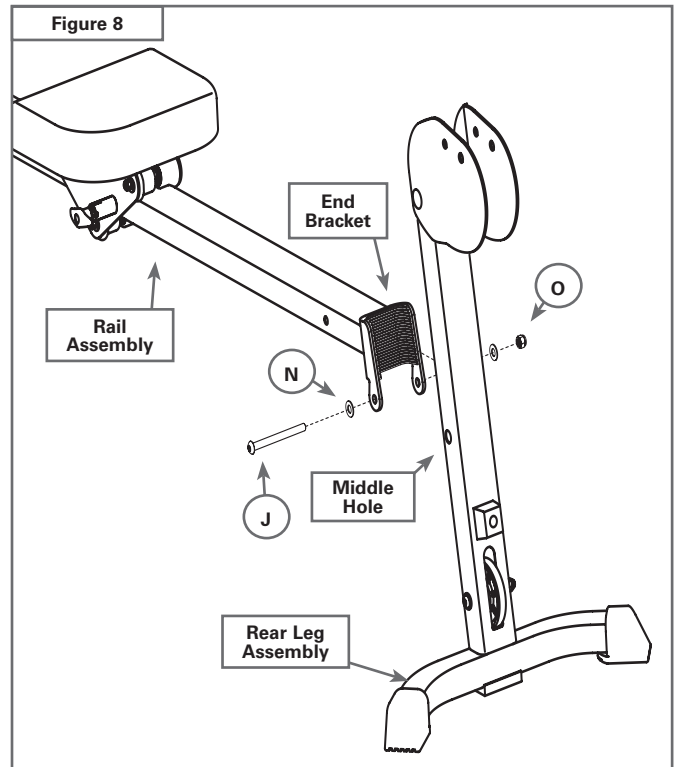
Place (1) 3/8" Washer (Item #N) over the end of (1) 3/8" X 4 1/4" Button Head Screw (Item #J). Insert the screw through the lined up holes and then loosely secure on the opposite side by placing (1) 3/8" Washer and (1) 3/8" Nylock Nut (Item #O) over the end.

Do not over-tighten hardware from Step 8.

Note: Tighten the nylock nut enough that the threads of the screw extend through the nylock nut, but loosely enough that the Leg Assembly can move freely.

At this time, place (1) Bolt Cover (Item #Q) over the Nylock Nut installed during Step 8, place 1 bolt cover over the Nylock Nut going through the rear leg pulley.

Once you have completed Step 8, rotate the Rear Leg back until it engages the Seat Rail Pull Pin.



Assembly Guide

Step 9 - Attach the Seat Rail to the Main Assembly

Locate the following items:

- From Step 4 - Main Assembly
- From Step 8 - Seat Rail Assembly
- Item #12 - Seat Rail Knob
- Item #J - (1) 3/8" X 4 1/4" Button Head Screw
- Item #N - (2) 3/8" Washers
- Item #O - (1) 3/8" Nylock Nut
- Item #Q - (1) Bolt Cover

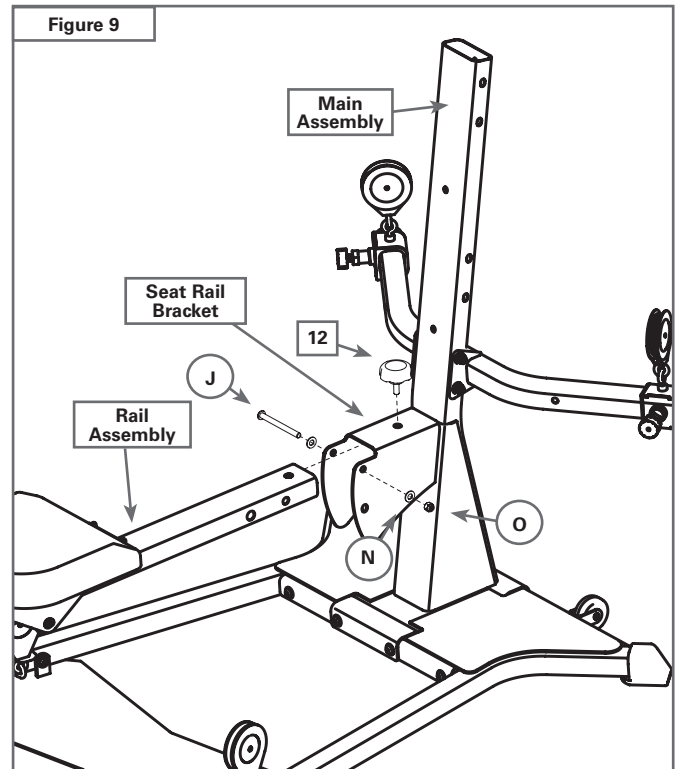
Align the holes on the Seat Rail Assembly (from Step 8) with the holes in the Rail Bracket on the Main Assembly (from Step 4), as shown in **Figure 9**.

Insert the Seat Rail Assembly into the Seat Rail Bracket, and then place (1) 3/8" Washer (Item #N) over the end of (1) 3/8" X 4 1/4" Button Head Screw (Item #J). Insert the screw through the aligned holes, as shown, and place (1) 3/8" Washer and (1) 3/8" Nylock Nut (Item #O) over the end of the screw to secure.

Do not over-tighten the hardware from Step 9.

Note: Tighten the nylock nut enough that the threads of the screw extend through the nylock nut, but loosely enough that the Seat Rail Assembly can move freely.

At this time, place (1) Bolt Cover (Item #Q) over the Nylock Nut installed during Step 9. Then, thread the Seat Rail Knob (Item #12) into the top hole on the Seat Rail Bracket, as shown in **Figure 9**, but do not over-tighten.



Assembly Guide

Step 10 - Attach the Leg Extension Pivot Tube

Locate the following items:

- Item #13 - Leg Extension Pivot Tube
- From Step 9 - Main Assembly
- Item #30 - Lock Out Pin
- Item #G - (1) 3/8" X 2 3/4" Button Head Screw
- Item #N - (2) 3/8" Washers
- Item #O - (1) 3/8" Nylock Nut
- Item #Q - (1) Bolt Cover

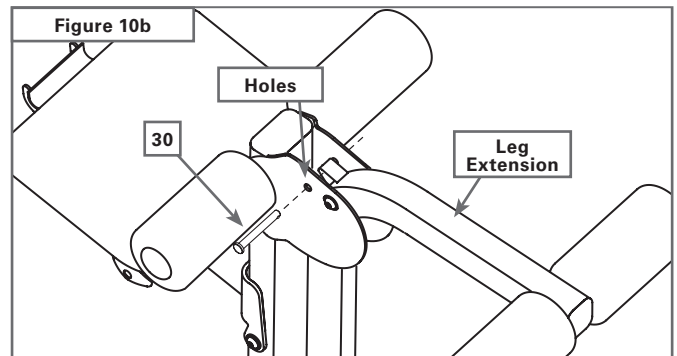
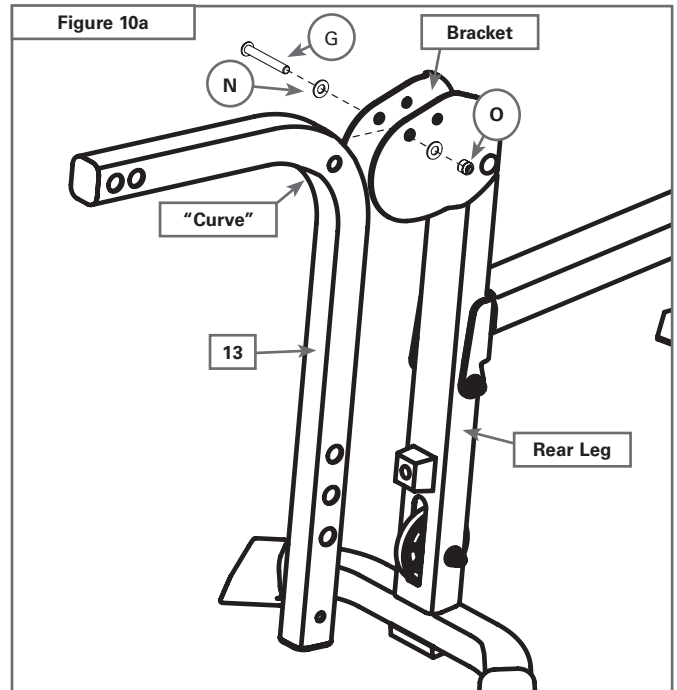
Undo the twist ties from the Pivot Bushings. Align the holes located on the "curve" of the Leg Extension Pivot Tube (Item #13) with the holes on the bracket of the Rear Leg, as shown in **Figure 10a**.

Place (1) 3/8" Washer (Item #N) over the end of (1) 3/8" X 2 3/4" Button Head Screw (Item #G). Thread the screw through the aligned holes and bushings and secure by placing (1) 3/8" Washer and (1) 3/8" Nylock Nut (Item #O) over the end of the screw, as shown in **Figure 10a**.

Do not over-tighten hardware from Step 10.

Place (1) Bolt Cover (Item #Q) over the Nylock Nut installed during Step 10.

Note: When storing the Rail Assembly, insert the Lock Out Pin (Item #30) through the holes in the Pivot Tube to temporarily hold the Leg Extension in place while folding the Rail up (see **Figure 10b**).



Assembly Guide

Step 11 - Attach the Rollers to the Leg Extension

Locate the following items:

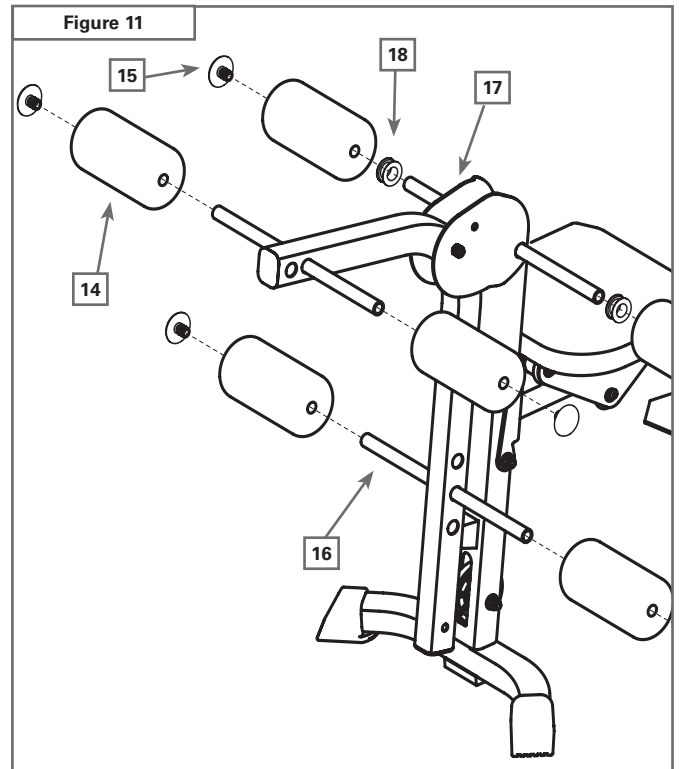
- From Step 10 - Main Assembly
- Item #14 - Foam Rollers
- Item #15 - Foam Roller End Caps
- Item #16 - Short Chrome Roller Tubes
- Item #17 - Long Chrome Roller Tube
- Item #18 - Roller Tube Spacers

There are (3) Chrome Roller Tubes on the Leg Extension. Place the Long Chrome Roller Tube (Item #17) through the hole closest to the Seat.

There are two holes possible in the Leg Extension Pivot Tube for the lower of the Short Chrome Roller Tubes (Item #16). Select the correct lower hole for your height - the Roller should rest on your lower shin above the ankle. Insert the (3) Chrome Roller Tubes through the holes on the Leg Extension Pivot Tube and Rear Leg, as shown in **Figure 11**.

Slide (2) Roller Tube Spacers (Item #18) over each end of the Long Chrome Roller Tube. Then, slide (2) Foam Rollers (Item #14) over the ends of all three tubes. Cap the Roller Tubes with the (6) Foam Roller End Caps (Item #15).

Note: Use a Rubber Mallet to secure the End Caps.



Step 12 - Attach Leg Cable to the Leg Extension

Locate the following items:

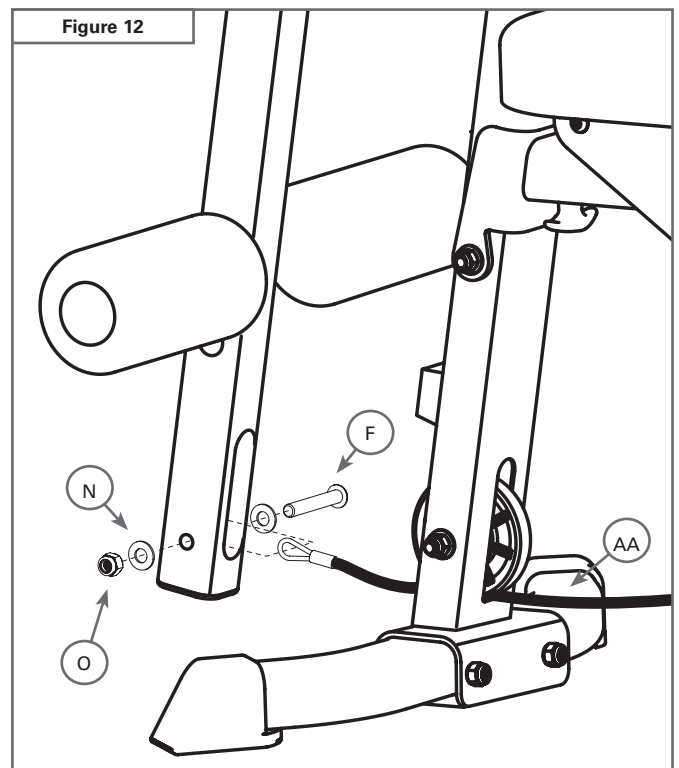
- From Step 11 - Main Assembly
- Item #AA - (1) Leg Cable
- Item #F - (1) 3/8" X 2 1/2" Button Head Screw
- Item #N - (2) 3/8" Washers
- Item #O - (1) 3/8" Nylock Nut
- Item #Q - (1) Bolt Cover

Slide the hooked end of the Leg Cable beneath the Leg Extension Pulley and into the hole on the Leg Extension Pivot Tube, as shown in **Figure 12**.

Place (1) 3/8" Washer (Item #N) over the end of (1) 3/8" X 2 1/2" Button Head Screw (Item #F). Thread the screw through holes in the Leg Extension and cable end. Place (1) 3/8" Washer and (1) 3/8" Nylock Nut (Item #O) over the end of the screw, as shown in **Figure 12**, and tighten.

Completely tighten hardware installed during Step 12.

Place (1) Bolt Cover (Item #Q) over the Nylock Nut installed during Step 12.



Assembly Guide

Step 13 - Assemble the Leg Extension Seat

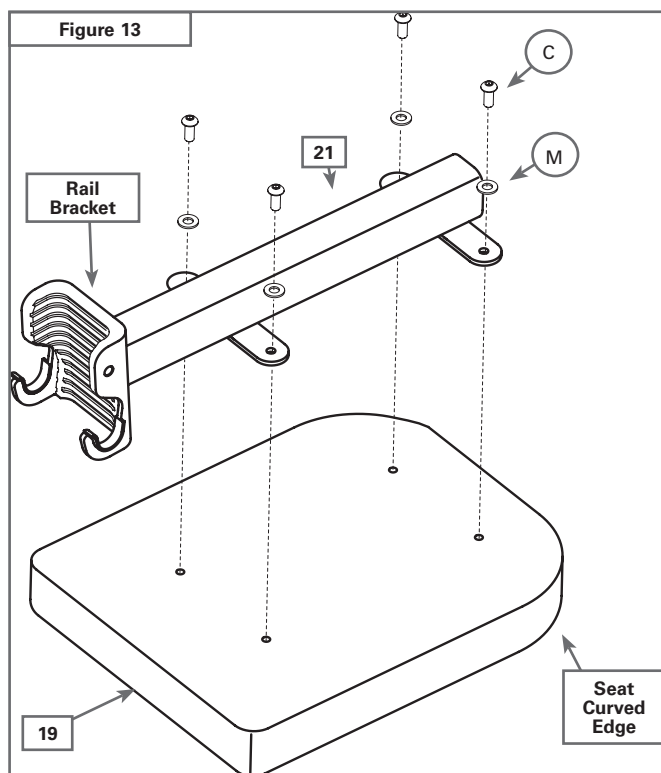
Locate the following items:

- Item #19 - Leg Extension Seat Pad
- Item #21 - Leg Extension Seat Support Tube
- Item #C - (4) 5/16" X 3/4" Button Head Screws
- Item #M - (4) 5/16" Washers

Place the Leg Extension Seat Pad (Item #19) cushion-side down. Align the holes in the Leg Extension Seat Support Tube (Item #21) with the holes on the underside of the Seat Pad.

Place (4) 5/16" Washers (Item #M) over (4) 5/16" X 3/4" Button Head Screws (Item #C) - one over each screw. Insert the screws through the aligned holes, and tighten.

Completely tighten hardware installed during Step 13.



Assembly Guide

Step 14 - Attach the Leg Extension Seat to the Main Assembly

Locate the following items:

- From Step 13 - Leg Extension Seat Assembly
- From Step 12 - Main Assembly

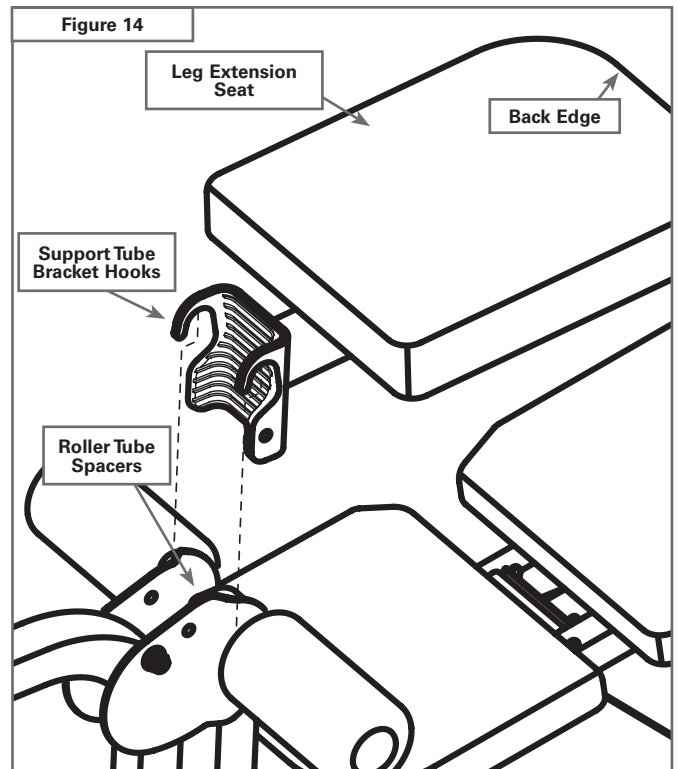
The Leg Extension Seat Assembly is removable, and can be attached to the Rear Leg Assembly easily by placing the Rail Bracket Hooks over the Rear Rollers.

Place the Rail Bracket Hooks onto the Roller Tube Spacers (sandwiched between the Rear Leg and the Foam Rollers).

Once the Support Tube Bracket Hooks connect with the Roller Tube Spacers, slightly “roll” the back edge of the Seat down to lock into place.

Warning: For your safety, always ensure that the Support Tube Bracket Hooks fully engage with the Roller Tube Spacers.

To remove the Leg Extension Seat Assembly, reverse this procedure.



Step 15 - Attach the Lat Cross Bar to the Upper Lat Tower

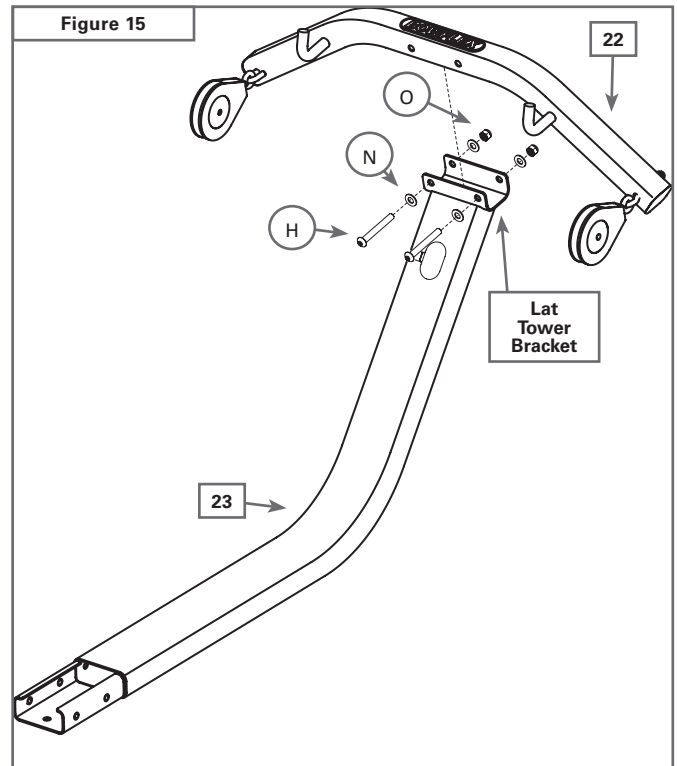
Locate the following items:

- Item #22 - Lat Cross Bar - Do not unwrap cables!
- Item #23 - Upper Lat Tower
- Item #H - (2) 3/8" X 3" Button Head Screws
- Item #N - (4) 3/8" Washers
- Item #O - (2) 3/8" Nylock Nuts

Align the holes in the Lat Cross Bar (Item #22) with the holes in the bracket on the Upper Lat Tower (Item #23).

Place (2) 3/8" Washers (Item #N) over the ends of (2) 3/8" X 3" Button Head Screws (Item #H) - one washer per screw. Thread the screws through the aligned holes, then secure by placing (1) 3/8" Washer and (1) 3/8" Nylock Nut (Item #O) over each screw and tighten.

Completely tighten hardware installed during Step 15.



Assembly Guide

Step 16 - Attach the Upper Lat Tower to the Lower

Locate the following items:

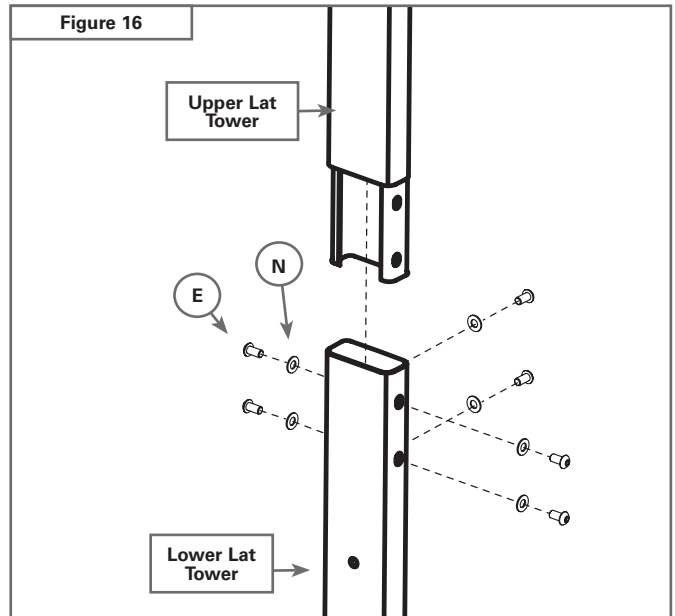
- From Step 15 - Upper Lat Tower Assembly
- From Step 14 - Main Assembly
- Item #E - (6) 3/8" X 3/4" Button Head Screw
- Item #N - (6) 3/8" Washers

Carefully insert the end of the Upper Lat Tower into the open end of the Lower Lat Tower. Align the holes on the Upper Lat Tower with the holes on the Lower Lat Tower.

Place (6) 3/8" Washers (Item #N) over the ends of (6) 3/8" X 3/4" Button Head Screws (Item #E) - one washer per screw. Thread the screws into the aligned holes, as shown in

Figure 16.

Completely tighten hardware installed during Step 16.



Step 17 - Attach the Rod Box with Power Rod® Unit to the Rod Box Frame

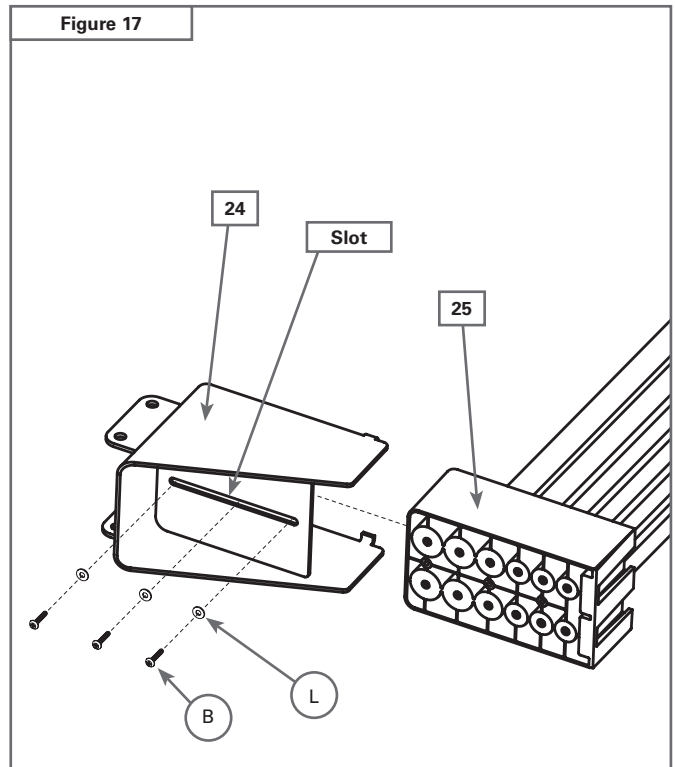
Locate the following items:

- Item #24 - Rod Box Frame
- Item #25 - Rod Box with Power Rod® Unit
- Item #B - (3) #10 X 1" Phillips Head Screws
- Item #L - (3) 1/4" Washers

Place the Rod Box Frame (Item #24) and Rod Box with Power Rod® unit (Item #25) onto one side as shown in **Figure 17**. Slide the Rod Box with Power Rod® unit into the Rod Box Frame until the Rod Box is completely seated in the Rod Box Frame.

Place (3) 1/4" Washers (Item #L) over the ends of (3) #10 X 1" Phillips Head Screws (Item #B) - one washer per screw. Insert the screws through the slot on the Rod Box Frame and thread into the holes in the Rod Box with Power Rod® unit.

Completely tighten hardware installed during Step 17.



Assembly Guide

Step 18 - Attach the Rod Box Frame to the Lat Tower

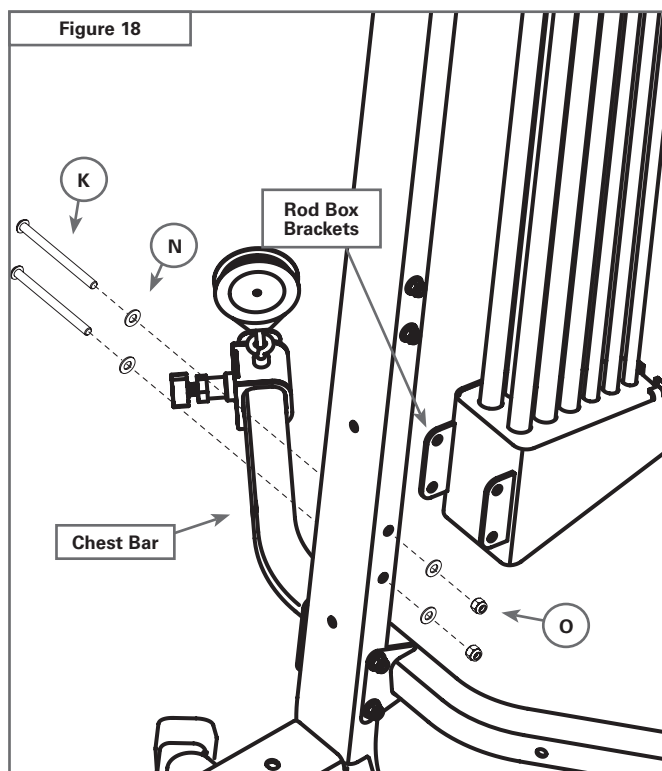
Locate the following items:

- From Step 16 - Main Assembly
- From Step 17 - Rod Box/Frame Assembly
- Item #K - (2) 3/8" X 5" Button Head Screws
- Item #N - (4) 3/8" Washers
- Item #O - (2) 3/8" Nylock Nuts

Align the bolt holes on the Rod Box brackets with the bolt holes on the Lat Tower above the Chest Bar, as shown in **Figure 18**.

Place (2) 3/8" Washers (Item #N) over the ends of (2) 3/8" X 5" Button Head Screws (Item #K) - one washer per screw. Insert the screws through the aligned holes. Place (1) 3/8" Washer and (1) 3/8" Nylock Nut (Item #O) over the end of each screw and tighten.

Completely tighten hardware installed during Step 18.



Step 19 - Attach the Faceplate to the Main Assembly

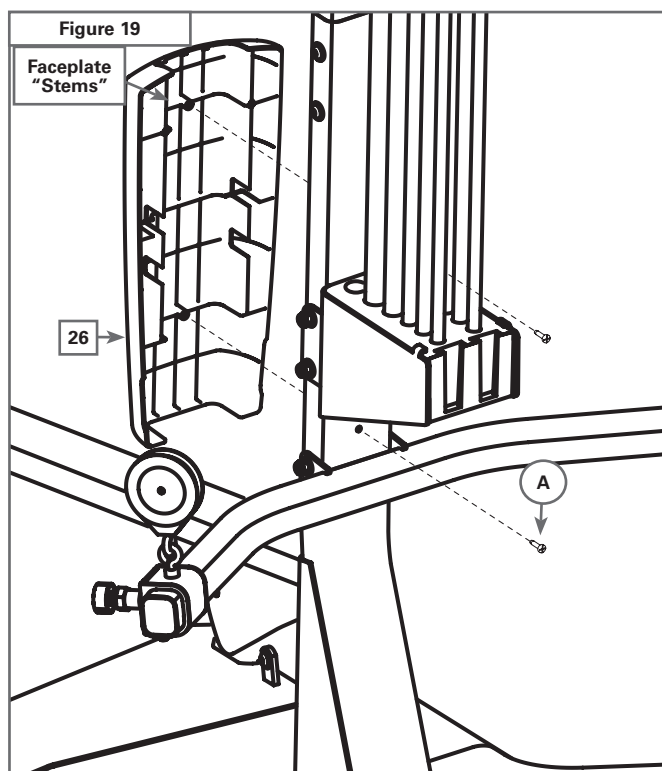
Locate the following items:

- Item #26 - Faceplate
- From Step 18 - Main Assembly
- Item #A - (2) #10 Phillips Head Screws

Position the textured side of the Faceplate (Item #26) against the Lower Lat Tower. Insert the plastic "stems" through the corresponding holes on the Lower Lat Tower, as shown in **Figure 19**. You may need to push the Power Rod® unit out of the way to insert the screws into the holes.

Attach the Faceplate to the Lower Lat Tower by threading (2) #10 Phillips Head Screws (Item #A) into the "stems".

Do not completely tighten hardware installed during Step 19 - tighten screws approximately 1/2 of completion. Hardware will be tightened during Step 20.



Assembly Guide

Step 20 - Attach the Faceplate Back Panels

Locate the following items:

- Item #27 - Faceplate Right Back Panels
- Item #28 - Faceplate Left Back Panels
- Item #32 - 100 Pound Power Rod® Unit
- From Step 19 - Main Assembly
- Item #A - (2) #10 Phillips Head Screws

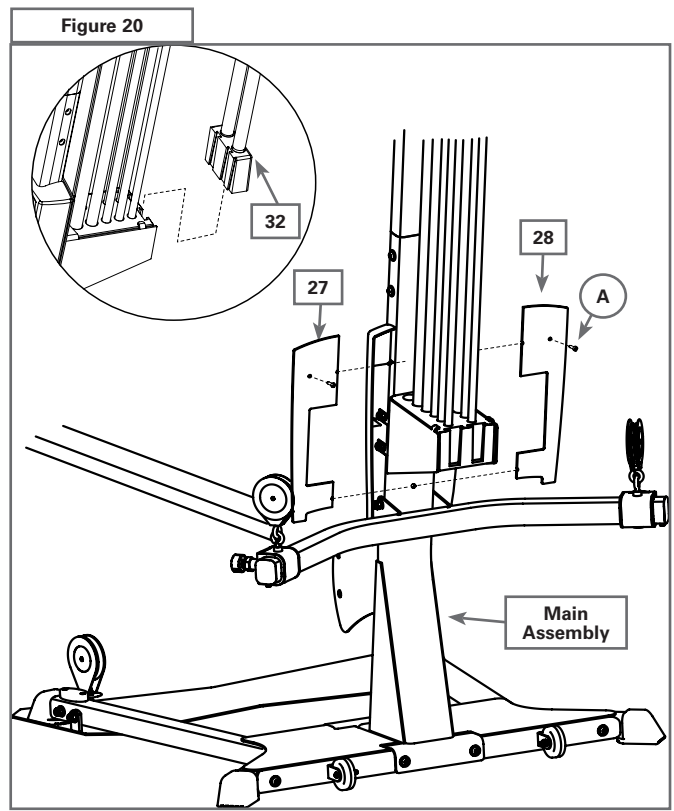
Slide each Faceplate Back Panel (Items #27 & 28), textured side out, against the textured (back) side of the Faceplate. The screw heads of the (2) Phillips Head Screws installed during Step 19 should allow the Back Panels to slide beneath them until the panels meet in the center.

Secure the Panels using (2) #10 Phillips Head Screws (Item #A), as shown in **Figure 20**, attaching one side at a time.

Completely tighten hardware installed during Steps 19 & 20.

Adding the 100 Pound Power Rod® Pack:

Slide the tapered notches of the 100 pound Power Rod® pack (Item #32) into the open slots on the back of the 310 pound Power Rod® pack.



Step 21 - Tighten Lower Bolt on the Seat Bracket

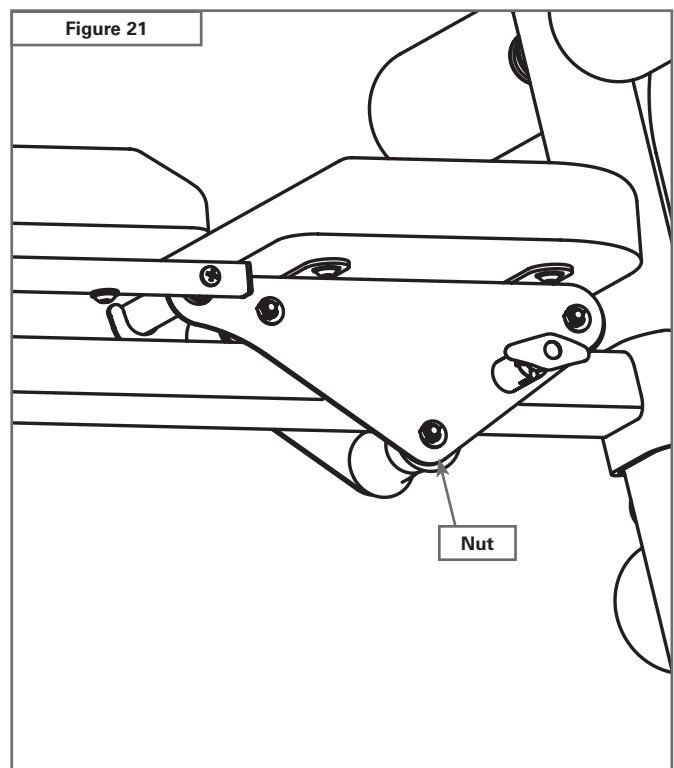
Locate the following items:

- From Step 5 - Seat Assembly (underneath)

Using an Allen Wrench (included) and a combination wrench, tighten the top nut & bolt on the Seat Assembly (see **Figure 21**). Take care that the Seat Assembly can still freely slide without resistance along the Seat Rail when you are seated.

Note: The Seat Assembly will have some resistance when rolling if no one is seated.

Take care not to overtighten hardware from Step 21.



Assembly Guide

Step 22 - Attach the Bench to the Seat Assembly

Locate the following items:

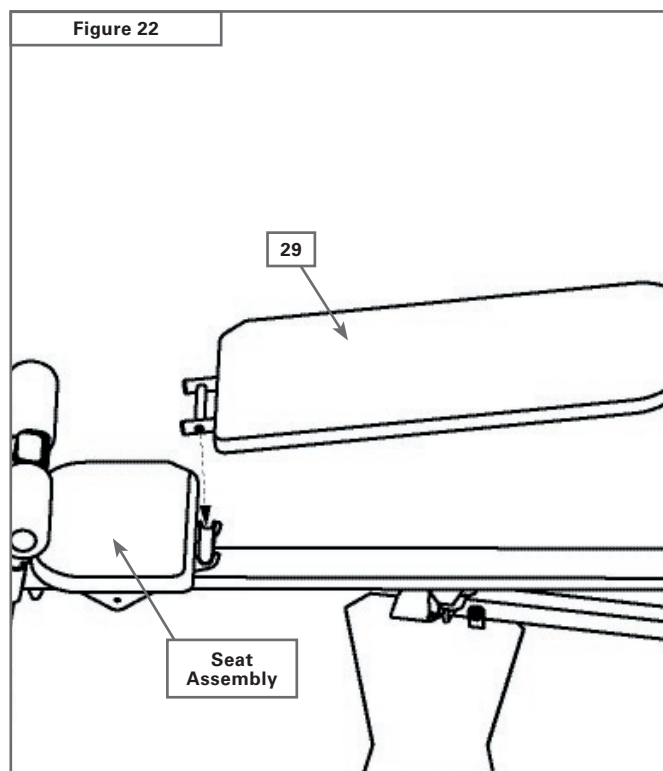
- Item #29 - Bench Pad
- From Step 6 - Seat Assembly

The Bench easily attaches and releases from the Seat. To attach the Bench, insert the half hinge on the end of the Bench into the half hinge on the seat. To remove the Bench, lift up on the long portion and pull away from Seat.



Note: At this time, carefully go over your entire BowFlex Elite™ Plus home gym, tightening all screws, nuts and other hardware securely before exercising on your BowFlex Elite™ Plus home gym.

Steps 23 through 26 illustrate how to route and connect the Cables to your new BowFlex Elite™ Plus home gym.



Step 23 - Route the Rod Cables

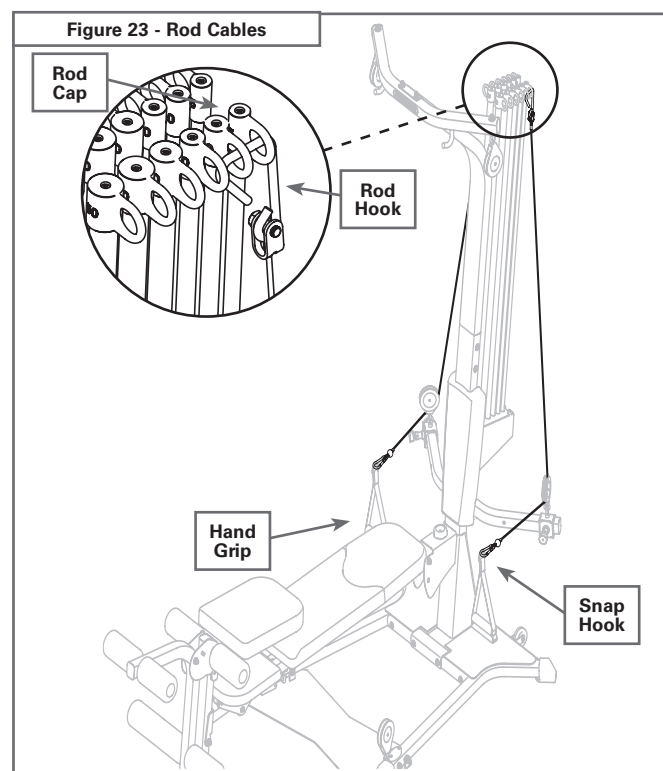
Locate the following items:

- Item #S - (2) Hand Grips
- Item #V - (2) Snap Hooks
- Item #Y - (2) Rod Cables with (2) Snap Hooks (attached)

Un-wrap the Cables from both Pulleys on the Chest bar. Pull one end of the Cable from the Chest Pulley upwards. Attach the Cable to one Rod Cap by hooking the Rod Hook through the hole in the Rod Cap.

Then, fasten one Hand Grip to the Snap Hook on the opposite end of the Cable, as shown in **Figure 23**.

Repeat for remaining Chest Pulley Rod Cable.



Assembly Guide

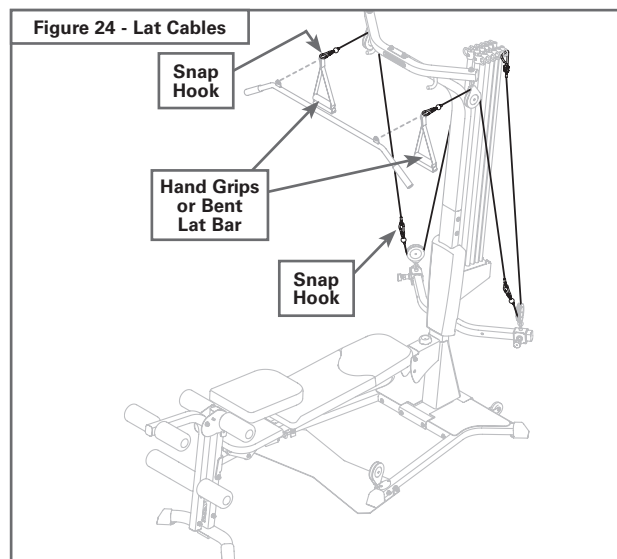
Step 24 - Route the Lat Cables

Locate the following items:

- Item #S - (2) Hand Grips
- Item #R - (1) Bent Lat Bar (optional)
- Item #Z - (2) Lat Cables with (2) Snap Hooks (attached)

Un-wrap the Lat Cables with Snap Hooks from both Pulleys on the Lat Cross Bar. Pull one end of the Cables down from the Lat Cross Bar, and fasten to the Chest Cable Snap Hook.

Fasten the attached Snap Hook from the Lat Cable to a Hand Grip or the Bent Lat Bar. Repeat for remaining Lat Cable.



Step 25 - Route the Leg Cables

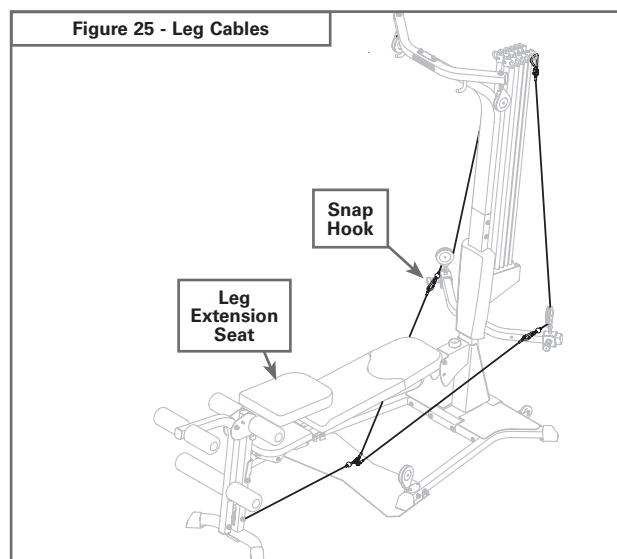
Locate the following items:

- Item #AA - Leg Cable
- From Step 14 - Leg Extension Seat Assembly

Un-wrap the Cables from the Rear Leg Pulley.

Pull one end of the "Y" Cable away from the Rear Leg to fasten to a Snap Hook on the Rod Cable.

Note: For this step, make sure your Leg Extension Seat is installed.



Step 26 - Route the Squat Cables

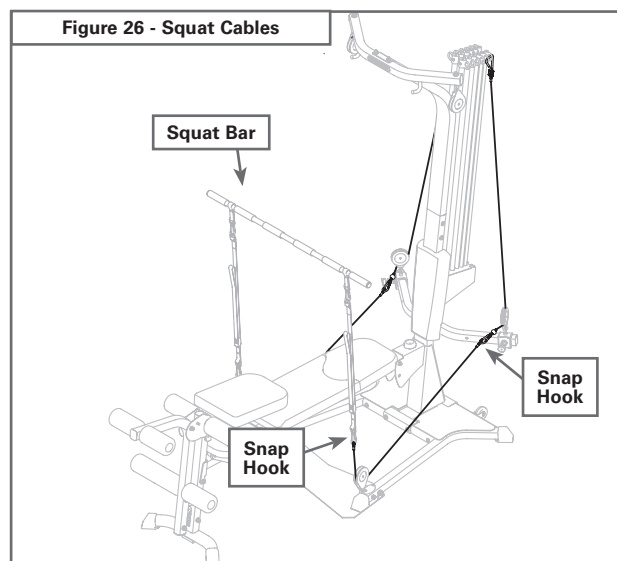
Locate the following items:

- Item #R - Squat Bar

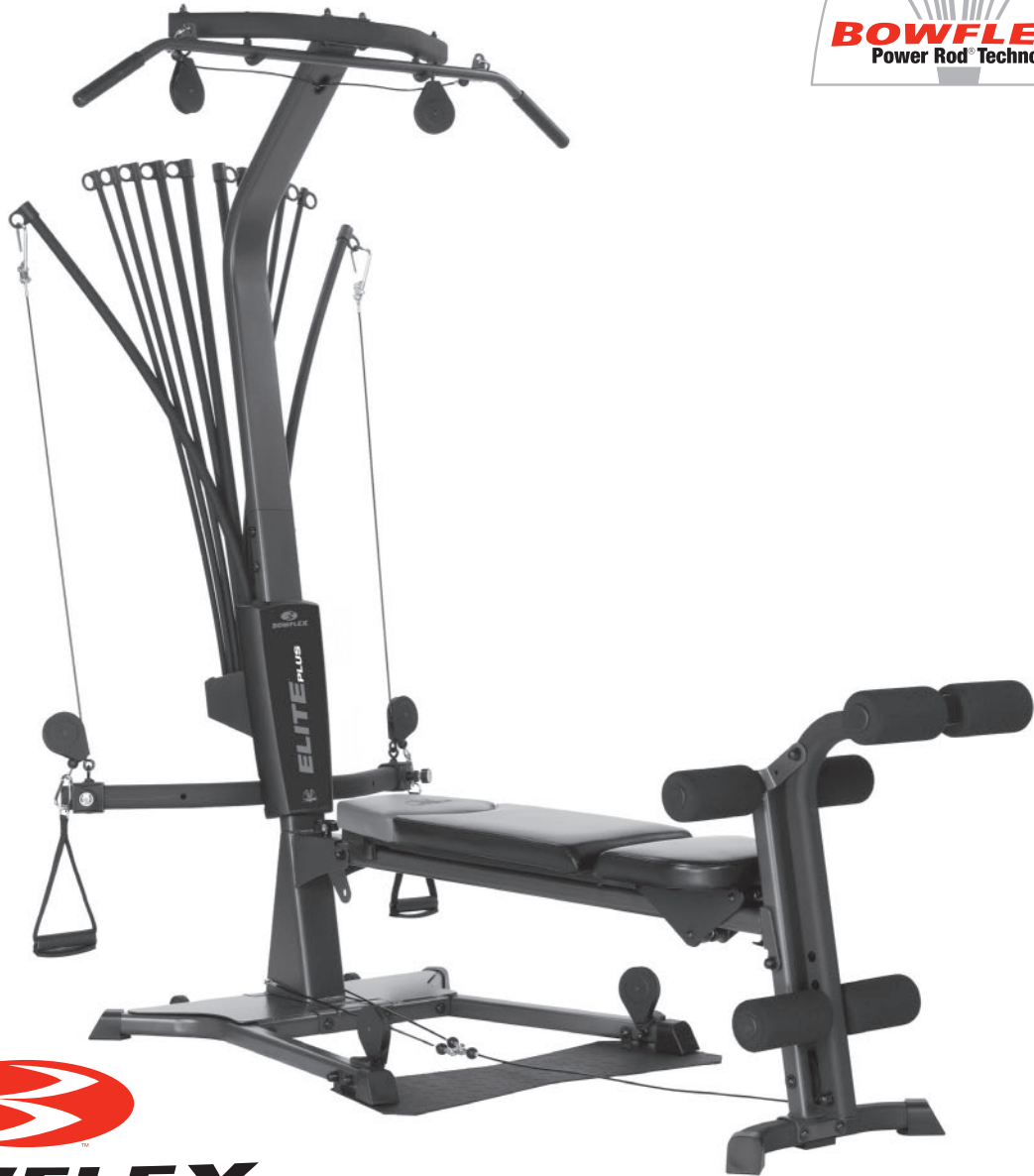
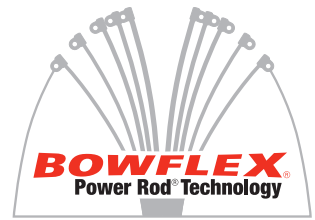
Un-wrap the Cables on each Base Leg Pulley. Pull one end of the Cable up from the Leg Pulley, and fasten the Cable to a Snap Hook on the Chest Bar.

Fasten the Snap Hook attached to the Squat Cables to the corresponding Squat Bar "D" Ring.

Repeat for remaining Squat Cable.



CONGRATULATIONS! You have successfully completed assembly of your BowFlex Elite™ Plus home gym! Please inspect your machine to ensure that all fasteners are tight and everything is properly assembled. Review all warnings that are affixed to the machine.



BOWFLEX **ELITE PLUS**

This manual is written and designed by industry professionals. If you have any questions regarding your BowFlex Elite™ Plus home gym or any instructions found in this manual, please call 1-800-NAUTILUS (800-628-8458) for assistance.

Special Edition Includes:

**Dr. Ellington Darden's
Six Week Fast Fat Loss –
Body Leanness Program**



**BOWFLEX[®]
ELITE[™] PLUS**



**The BowFlex Elite[™] Plus
Home Gym
Owner's Manual
and Fitness Guide**

Written By: Tom Purvis RPT, RTS
Registered Physical Therapist
and founder of the
Resistance Training
Specialist Program



Table of Contents

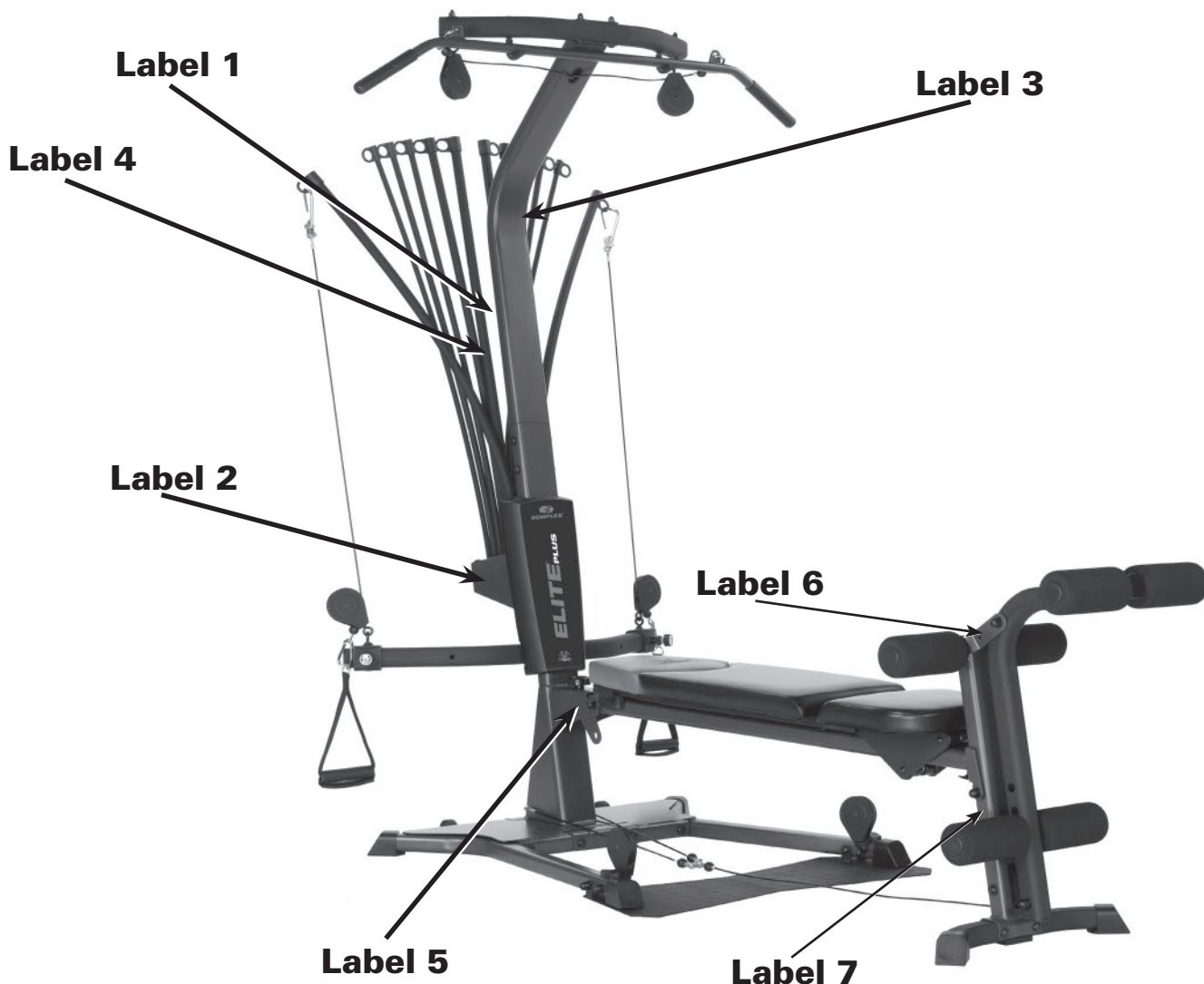
Safety Precautions	1	Arm Exercises:	
Get To Know Your Safety Warning Labels	2	Triceps Pushdown	49
Get To Know Your Machine	4	Single-Arm Pushdown	49
How to Use Your Machine	5	French Press	50
The Bowflex® Body Leanness Program		Lying Triceps Extension	50
By Ellington Darden, Ph.D.	9	Cross Triceps Extension	51
Define Your Goals	30	Lying 45° Triceps Extension	51
Warm Up / Cool Down		Seated Triceps Extension	52
Aerobic Rowing	32	Standing Biceps Curl	52
Chest Exercises:		Seated Biceps Curl	53
Bench Press	33	Lying Biceps Curl	53
Chest Fly	33	Seated Wrist Extension	54
Decline Bench Press	34	Standing Wrist Curl	54
Incline Bench Press	34	Reverse Curl	55
Decline Chest Fly	35	Seated Wrist Curl	55
Incline Chest Fly	35	Standing Wrist Extension	56
Resisted Punch	36	“Rope” Pushdowns	56
Lying Cable Crossover	36	Abdominal Exercises:	
Shoulder Exercises:		Reverse Crunch	57
Rear Deltoid Rows	37	Resisted Reverse Crunch	57
Lateral Shoulder Raise	37	Seated (Resisted) Abdominal Crunch	58
Seated Shoulder Press	38	Seated (Resisted) Oblique Abdominal Crunch	58
Front Shoulder Raise	38	Trunk Rotation	59
Shoulder Extension	39	Leg Exercises:	
Shoulder Shrug	39	Squat	59
Scapular Protraction	40	Leg Extension	60
Scapular Depression	40	Lying Leg Extension	60
Lying Front Shoulder Raise	41	Ankle Eversion	61
Reverse Fly	41	Ankle Inversion	61
Shoulder Rotator Cuff—Internal	42	Standing Hip Extension (Knee Flexed)	62
Shoulder Rotator Cuff—External	42	Standing Hip Extension (Knee Stabilized)	62
Seated Lateral Shoulder Raise	43	Standing Hip Abduction	63
Scapular Retraction	43	Seated Hip Adduction	63
Back Exercises:		Seated Hip Abduction	64
Lying Lat Pulldowns	44	Standing Leg Kickback	64
Low Back Extension	44	Muscle Chart	65
Pulldowns	45	BowFlex Elite™ Plus	
Narrow Pulldowns with Hand Grips	45	Home Gym Warranty	66
Lying Lat Fly	46	BowFlex Elite™ Plus Home Gym	
Lying Narrow Lat Pulldowns	46	Warranty Card	67
Seated Lat Rows	47		
Stiff-Arm Pulldown	47		
Bent Over Row	48		

Safety Precautions

- Always read and follow the Warning and Safety labels attached to your BowFlex Elite™ Plus home gym. Do not remove these labels. If you need replacement labels, please call a Nautilus Representative at 1-800-NAUTILUS (800-628-8458).
- Read the owner's manual and follow it carefully before using the machine.
- Parents and others in charge of children should be aware of their responsibility, because the natural play instinct and the fondness for experimenting of children can lead to situations and behavior for which the training equipment is not intended.
- Never allow children to use the BowFlex Elite™ Plus home gym unsupervised. To do so could result in injury. If children are allowed to use the equipment, their mental and physical development should be taken into account. They should be controlled and instructed on the correct use of the equipment.
- This equipment is under no circumstances suitable as a children's toy.
- Inspect your machine for any worn or loose components prior to use. Tighten or replace any worn or loose components prior to use. Pay close attention to cables, or belts and their connections.
- Never use dumbbells or other weight equipment to incrementally increase the weight resistance. Use only the Power Rod® unit that came with your BowFlex Elite™ Plus home gym.
- Set up and use your BowFlex Elite™ Plus home gym on a hard, level surface.
- Do not wear any loose or dangling clothing or jewelry while using the BowFlex Elite™ Plus home gym. Stand clear of all moving components.
- Before beginning any exercise program consult your physician or health care professional. Only he or she can determine the exercise program that is appropriate for your particular age and condition. If you experience any light-headedness, dizziness, or shortness of breath while exercising, stop the exercise and consult your physician.
- This machine is meant for individual consumer use only, and is not meant for use by institutions.
- Maximum user weight for the BowFlex Elite™ Plus home gym is 300 pounds (136 kg). For your safety, do not use or allow others to use the BowFlex Elite™ Plus home gym if they weigh in excess of 300 pounds (136 kg).
- Allow a workout area of at least 8'4" x 6'6" (2.6m x 2m) of free space for safe operation of the BowFlex Elite™ Plus home gym.
- Keep your body weight centered on the machine, seat, or base frame platform while exercising.
- When using the BowFlex Elite™ Plus home gym for standing leg exercises, always grasp the Lat Bar on your machine for stability.
- Keep out of the path of the Power Rod® unit when exercising and make certain that observers also stand clear of the BowFlex Elite™ Plus home gym when the Power Rod® unit are in use.
- Never move or adjust the seat while sitting on it. Never stand on the seat.
- When hooking up Power Rod® unit do not stand directly looking over the top of the rods. Stand off to the side while attaching rods.
- Never attempt to exercise with more resistance than you are physically able to handle.
- Keep cables and Power Rod® unit bound with the rod binding strap when not in use.
- Before exercising, make sure the cable pulley system is properly secured, properly attached, and in perfect working condition.
- All exercises in this manual are based on the calibrated resistance and capacity levels of the BowFlex Elite™ Plus home gym. Exercises not in this manual are not recommended by the manufacturer.
- Never attempt to exercise while the seat rail is in the folded position.

Get To Know Your Bowflex Elite™ Plus Safety Warning Labels

The following safety warnings are located on the Bowflex Elite™ Plus home gym. Please read all safety precautions and warning information prior to using your product. Be sure to replace any warning label if damaged, illegible, or missing. If you need replacement labels, please call a Nautilus Representative at 1-800-NAUTILUS (800-628-8458).



 **BOWFLEX** Home Gym
ELITE PLUS

Get To Know Your Bowflex Elite™ Plus Safety Warning Labels

The following safety warnings are located in site specific areas on the unit. Please review and understand the safety warning labels and their locations on the unit prior to use.

If you do not have, or cannot find, or need to replace a warning label please call 1-800-NAUTILUS (1-800-628-8458) to obtain a new label.

Label 1: Please make sure all users read, understand, and follow the warning labels on the home gym. See Figure 1 for general use safety label.

Location: The warning label in Figure 1 is located on the back of the lat tower.

Label 2: "Caution: At all times stay out of the paths of moving rods."

Location: Left and right side of rod box.

Label 3: "Warning: Do not hang from bar."

Location: Front of lat tower.

Label 4: "Caution: Before each use of this equipment, check all fasteners, snap hooks, cables and pulley functions. Tighten and fasten as needed. Check pulleys and cable for wear and function."

Location: Back of the lat tower below Label 1.

Label 5: "Caution: Knob must be fully engaged."

Location: Folding poing on bench.

Label 6: "Caution: Pin must be fully engaged when folding leg."

Location: Leg extension assembly.

Label 7: "Caution: Keep hands clear of this entire area when folding leg."

Location: Leg extension assembly.

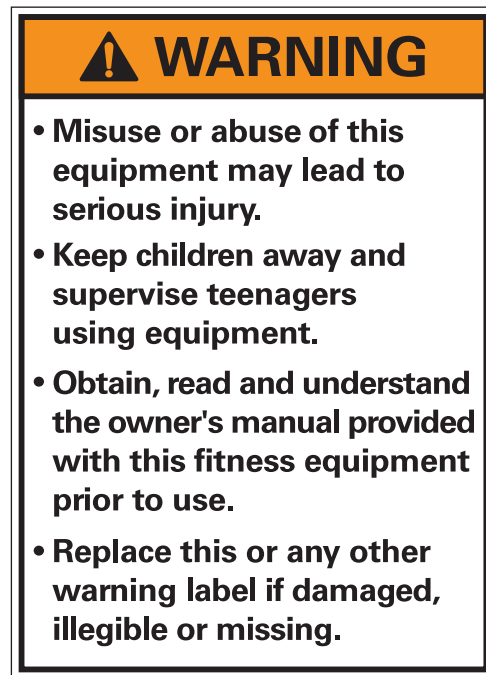


Figure 1

Get to Know Your Machine

CONGRATULATIONS on your commitment to improving your health and fitness! With the BowFlex Elite™ Plus home gym, you have everything you need to exceed all of your physical fitness, strength and health expectations!

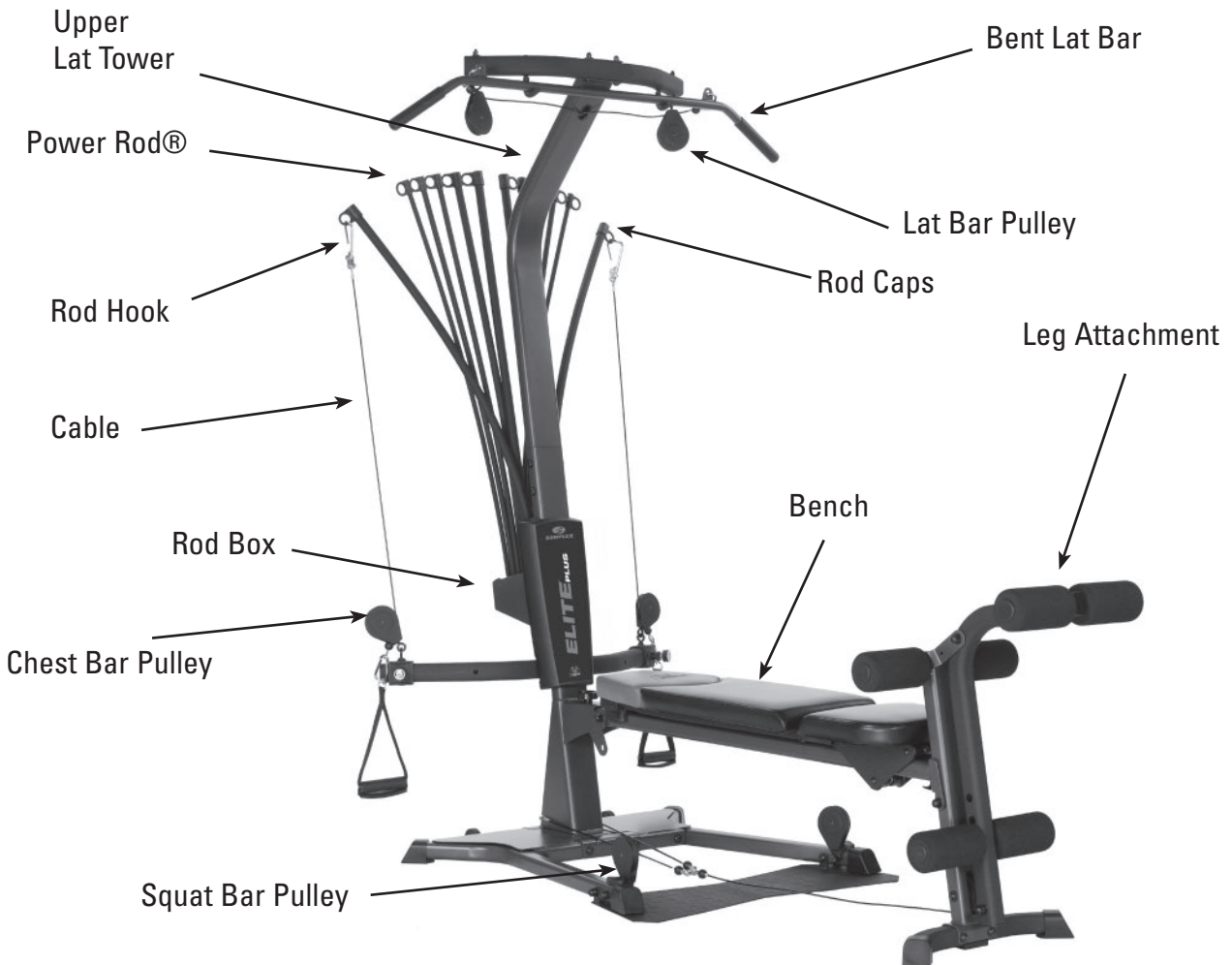
The BowFlex Elite™ Plus home gym's exceptional resistance and quality is unmatched by any other single piece of home fitness equipment available. You will not believe the amazing results your body will get with the BowFlex Elite™ Plus home gym!

Please take your time to read through the entire manual and follow it carefully before attempting to use your BowFlex

Elite™ Plus home gym. Also locate and read all warning labels that are posted on the machine. It's important to understand how to properly perform each exercise before you do so using Power Rod® Resistance.

With all of the fitness choices available today, finding the best workout equipment for your needs can be very confusing. Everyone at Nautilus would like to thank you for selecting the BowFlex Elite™ Plus home gym.

BowFlex Elite™ Plus home gym is the finest home fitness product available, and you're just about to prove it to yourself.



How to Use Your Machine

Power Rod® Resistance

Power Rod® units are made from a special composite material. Your rods are sheathed with a protective black rubber coating. Each rod is marked with its weight rating on the "Rod Cap".



Adjusting and Understanding the Resistance

The standard BowFlex Elite™ Plus home gym comes with 410 pounds (185 kg) of resistance [one pair of 5 lb. (2.25 kg) rods, two pair of 10 lb. (4.5 kg) rods, one pair of 30 lb. (13.5 kg) rods, and three pair of 50 lb. (22.5 kg) rods].

Hooking The Power Rod® Unit To The Cables

You may use one rod or several rods in combination, to create your desired resistance level.

To hook multiple rods up to one cable, bend the closest rod toward the cable and place the cable hook through that rod cap. You can then hook up the next closest rod through the same cable hook.



Hooking up the closest rod first prevents rods from crossing over the top of one another.



Safety

When hooking the Power Rod® unit to the cable hooks, do not stand directly over the tops of the rods. Stand off to one side when connecting and disconnecting the Power Rod® unit from the cables.

When You Are Not Using Your BowFlex Elite™ Plus home gym

Disconnect the cables from the Power Rod® unit when you are not using your BowFlex Elite™ Plus home gym. Use the rod binding strap included with your machine to bind all the rods together at the top. You can also place your cables and grips through the strap to keep them out of the way.



How to Use Your Machine

The Workout Bench

Your BowFlex Elite™ Plus home gym has a number of seat and bench positions: flat bench forward, flat bench back, 45° incline and free-sliding seat extension.

To adjust the seat, pull out the Seat Rail Knob, then slide the seat to one of the three locking holes on the Seat Rail.

Release the Seat Rail Knob to secure when finished.

Removing the Bench:

The Bench easily attaches and releases from the Seat. To attach the Bench, insert the half hinge on the end of the Bench into the half hinge on the seat. To remove the Bench, lift up on the long portion and pull away from seat.

Flat Bench:

The Flat bench position is used for most exercises. You may lock the bench into a Back (closest to Power Rod® unit) or Forward (furthest from Power Rod® unit) position to accommodate height/reach needs.

45° Incline Bench:

Start with a flat bench, following the above instructions to release and move the seat and bench. Lift the bench while sliding the seat toward the Power Rod® unit until the bench back is resting against the Lat Tower.

Leg Extension:

Refer to page A-12 of the Assembly Manual for instructions on installing the Leg Extension Seat.

Free-Sliding Seat:

Remove the Bench, pull out the Seat Rail Knob, give it half a turn and release to place the Seat in a “free sliding” position for Aerobic Rowing.

Storing Your BowFlex Elite™ Plus Home Gym

Folding your BowFlex Elite™ Plus home gym for storage is easy.

- 1) Lock the Seat and Bench into the flat position.
- 2) Remove all Power Rod® resistance and then bind the Power Rod® unit with the rod binding strap.
- 3) Ensure that the Leg Extension Lock-out Pin is installed. (Refer to page A-9 for instructions.)
- 4) Remove the Seat Rail Knob from the seat rail.
- 5) Tilt the bench toward the Power Rod® unit.
- 6) While holding the Rear Leg with one hand, disengage the seat Rail Pull Pin to allow the Rear Leg to fold against the Seat Rail. (See figure 8b on page A-7.)
- 7) Secure the bench by inserting the Seat Rail Knob into the hole in the side of the Seat Rail Bracket.



Maintenance and Care of Your BowFlex Elite™ Plus Home Gym

Inspect your machine for any worn or loose components prior to use. Tighten or replace any worn or loose components prior to use. Pay close attention to cables, or belts and their connections.

Clean the bench with a non-abrasive household cleanser after each use. This will keep it looking new. Do not use automotive cleaner, which can make the bench too “slick.”

Review all warning notices. The safety and integrity designed into a machine can only be maintained when the equipment is regularly examined for damage and repaired. It is the sole responsibility of the owner to ensure that regular maintenance is performed. Worn or damaged components shall be replaced immediately or the equipment removed from service until the repair is made. Only manufacturer supplied components shall be used to maintain/repair the equipment.

If you have any questions regarding your BowFlex Elite™ Plus home gym, please call our Customer Service Department at 1-800-NAUTILUS (800-628-8458) or by mail at: 16400 S.E. Nautilus Drive, Vancouver, WA 98684.

How to Use Your Machine

Accessories and Equipment

Hand Grips: The Hand Grips fit snugly around your hand, ankle, or wrist. Attach the pulley cable clips to the D-Rings on the Hand Grips to attach them to the cables.

Standard Grip: Grasp the grip and cuff together to form a grip without inserting your hand through the cuff portion. Most of the exercises you perform utilize this grip. The Standard Grip also is used for Hammer Grip exercises, when you need to hold the Hand Grip vertically for greater wrist support.



Hand Cuff Grip: Slip your hand through the cuff portion of the grip so that the foam pad rests on the back of your hand. Then grasp the remainder of the grip that is sitting in your palm. This method of gripping is great for exercises like front shoulder raises or any exercise where your palm is facing down.



Ankle Cuff Grip: The cuff opening can be made larger to accommodate the ankle. Place your hand in the cuff and slide it away from the grip. Insert your foot or ankle and tighten by sliding the grip back toward the cuff.



Rowing Belt: The Rowing Belt is used exclusively for Aerobic Rowing.

With the seat in the “free sliding” position, and the desired amount of resistance hooked up, sit on the seat, attach the belt to the Chest Bar cables and cinch the adjustment strap on the belt by pulling the strap until the belt is taut. You may grasp the belt near the cables to give yourself additional stability when rowing.

Lat Cross Bar: The Lat Cross Bar enhances exercises that work back, shoulders and triceps muscles.

Safety:

- Before using the Lat Cross Bar, make sure that all fasteners are in place and tightened.
- Make sure that the Lat Tower cables are securely fastened to the regular Bowflex® cables and the Bent Lat Bar, Squat Bar or Hand Grips.
- Always use the Bent Lat Bar holders to support the Bent Lat Bar, or remove the bar when not in use.
- Do not hang from or attempt to perform “chin ups” from the Lat Cross Bar.
- Never pull on the Bent Lat Bar unless there is resistance attached to it.

Leg Extension: Designed to add more effectiveness exercises that target your legs, thighs, calves, etc.

Safety:

- Before using the Leg Extension, make sure that all fasteners are in place and tightened.
- Make sure that the Extension’s cables are securely fastened to the regular cables.
- When installing the Leg Extension Seat always ensure that the Support Tube Bracket Hooks fully engage with the Roller Tube Spacers.
- Always use the supplied Lockout Pin to secure the Leg Extension Pivot Tube to the Rear Leg when not in use.

How to Use Your Machine

Using Your Leg Press Belt and Squat Bar Pulleys

Leg Press Belt: The Leg Press Belt is used for the Leg Press exercise.

- With the Bowflex® seat adjusted to the “free sliding” position (spring lock seat pin unlocked), the hand grips removed, and the desired amount of resistance hooked up, sit on the seat and position the leg press belt around your hips.
- Slide forward to the pulleys and place your feet through the right and left openings under the rod cables.
- Attach the rod cables to the D-rings on the Leg Press Belt so that the belt is taut.
- Place hands on vertical main frame and push yourself back while placing feet, one at a time, onto the pulley frame.
- Grasp belt near where it’s attached to the cables and begin to press back.

Squat Bar Pulleys: Used with Squat Harnesses and Squat Bar to perform Squat exercises.

Safety:

- Always check fasteners, hooks, cables and each workout to functioning.
- Remove workout bench and lock seat into closest position to the Power Rod® unit.
- Always wear shoes with non-skid soles when using the Squat Bar Pulleys.
- Fasten each squat cable to a D-ring on each squat harness to the corresponding D-ring on the squat bar using a snap hook.
- You can now add Power Rod® resistance and adjust the squat straps to your height using adjuster buckles.
- Always adjust tension of the squat harness in such a manner that it will not cause a hazard.

The Bowflex® Body Leanness Program

By Ellington Darden, Ph.D.

The following program was created by Dr. Ellington Darden. It contains a rigorous fitness and dietary program. Please consult your physician before beginning any fitness or dietary program.

Some of the names of the exercises listed in this program have been changed in order to match the names of the exercises in this manual. The exercises themselves have not been changed, in order to preserve the integrity of Dr. Darden's Study.

**FAST FAT LOSS
NOW!**



Introduction

The Bowflex® Body Leanness Program

This program is scientifically designed for maximal fat loss over six weeks. It is important that you practice every aspect of the plan to achieve optimum results.

The program separates into three two-week stages. During each stage you will exercise, control the number and quality of calories you consume, and drink plenty of ice-cold water.

Before starting the exercise routine you must be familiar with your Bowflex®. You should experiment with finding the proper amount of resistance to use on each exercise. You should be able to perform 8 repetitions, but not more than 12 repetitions, for each exercise. It is essential that you learn how to perform each movement before trying a complete circuit, because part of the effectiveness of the training depends on minimal rest between each exercise.

WARNING!

Before beginning this program consult your physician or healthcare professional. Show this plan and your Bowflex® Owner's Manual to your physician or healthcare professional. Only he or she can determine if this course is appropriate for your particular age and condition. If you experience any lightheadedness, dizziness, or shortness of breath while exercising, stop the movement and consult a physician.

Make sure you read your Bowflex® Owner's Manual BEFORE attempting a workout.

There are a few people who should not try this program: Children and teenagers; pregnant women; women who are breast feeding; diabetics; individuals with certain types of heart, liver, or kidney disease; and those suffering from certain types of arthritis. This should not be taken as an all inclusive list. Some people should follow the course only with their physician's specific guidance. Play it safe and consult a healthcare professional.

A Personal Guarantee From Dr. Ellington Darden

Dear Bowflex® Enthusiast,

I'm excited, really excited! I'm elated because I've developed an exercising and eating program that produces fat loss faster than any plan I've ever tested.

The men involved in my research, for example, had an average fat loss of 27.95 pounds (12.68 kg) per man. Women on the same program averaged a reduction of 16.96 pounds (7.69 kg). Best of all, these dramatic results were achieved — not in six months — but in only six weeks!

That's right. Similar results can be accomplished by you in six short weeks, which include just 18 workouts (3 per week) on the Bowflex® machine.

Bowflex® was a significant part of the results. The exercises performed on it allowed the participants to build muscle, which accelerated their metabolisms, and produced faster and greater fat losses.

The plan worked so well that it became known as The Bowflex® Body Leanness Program.

Leanness means to strip away the fat from under the skin as well as at deeper levels. Leanness also implies a pleasing shape and tone to the skeletal muscles.

You might say leanness is the opposite of fatness because the people involved in my research certainly got rid of their excessive fatness in record time.

All the guidelines that were applied have been organized in the booklet you are now holding in your hands. It's the next best thing to actually going through one of my research projects. In fact, it's probably better since nothing is experimental. All of the fine points have been tried, tested and proven effective.

If you are overfat, and if you are interested in doing this program, there are several things that you need to understand about my experience. Since 1965, I've trained more than 10,000 overfat individuals. After many years of pushing, coaxing, and listening to these trainees, certain traits became evident to me:

- People are not lazy by choice. They are forced into it by the confusion that surrounds the abundance of fitness information that is available. If these individuals are given simple decisive instructions, they will train very intensely.
- People, if they are provided with specific menus, will drastically alter their eating habits.
- Most of these people, however, will do neither of these challenging things for more than a week — unless they quickly see and feel changes in their body.

The Bowflex® Body Leanness Program emerged from these findings. For you to get the best-possible results, you must be willing to exercise very intensely on the Bowflex® machine and adhere to a strict eating plan.

In return, you'll get simple exercise instructions, specific menus to use, and my guarantee that if you follow the program exactly as directed, you'll observe the pounds and inches disappear on almost a weekly basis.

Now it's your turn to get excited, and get started!

Sincerely,



Dr. Ellington Darden

Measurements

If you would like to measure your personal before-and-after results, there are several steps you need to take. It is important that you accurately perform each task, then at the end of the six-week program, repeat the process in the same manner.

Body Weight:

Remove clothing and shoes and record your weight to the nearest quarter pound or hundred grams. Be sure to use the same scale when weighing yourself at the end of the six-week program. For the most accurate recordings, weigh yourself nude in the morning.

Since the program is divided into three two-week segments, you may want to weigh yourself at the end of each two-week period. Understand, however that weight loss is not the best way to determine your success. Fat loss is the key component. To determine the amount of fat you've lost, you'll need to follow the instructions in the next section.

Enter your starting weight on the RESULTS SUMMARY SHEET provided.

Circumference of Body Parts:

For an even better idea of the changes that will occur to your body in the next six weeks, it is necessary to measure the circumference of certain body parts. This will tell you where the fat is shrinking and what areas are toning up.

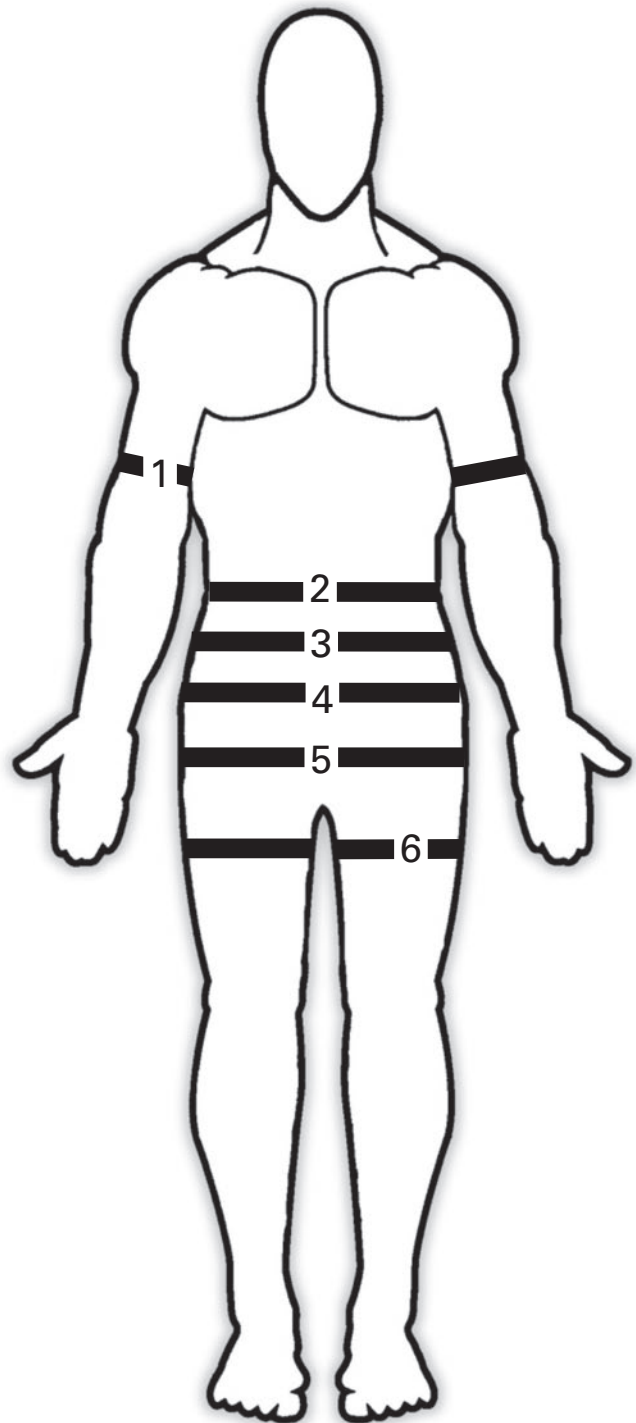
Use a plastic tape to measure the following:

- 1) **Upper arms** — hanging and relaxed, midway between the shoulder and elbow.
- 2) **2" (5 cm) above navel** — belly relaxed.
- 3) **At navel** — belly relaxed.
- 4) **2" (5 cm) below navel** — belly relaxed.
- 5) **Hips** — feet together at maximum protrusion of buttocks.
- 6) **Thighs** — high, just below the buttocks crease with legs apart and weight distributed equally on both feet.

Record each measurement on your Results Summary Sheet.

Women Measure:
Suprailium, triceps, and thigh.

Men Measure:
Chest, abdomen, and thigh.



Measurements

Skinfold Measurements

To accurately track your progress through this six-week program, it is necessary to take skinfold measurements. By measuring yourself in this way, you will be able to determine your lean-body mass and your body-fat percentage. The goal of this program is to increase your lean-body mass and decrease your body-fat percentage.

Please read this section carefully. Proper measuring techniques are essential to track your success. It is best to have someone measure you. Measuring yourself can lead to inaccurate results.

Women Measure: Suprailium, triceps, and thigh
Men Measure: Chest, abdomen, and thigh



Suprailium

Stand relaxed. Pick up a diagonal skinfold just above the crest of the hip bone on the right side of the waist.



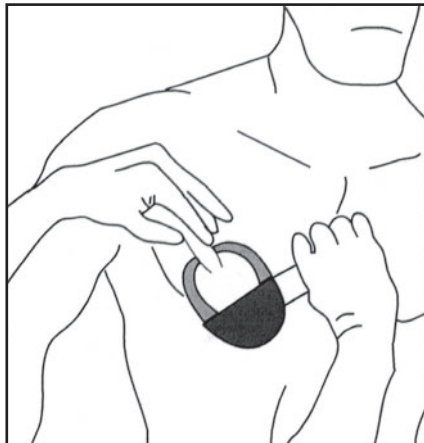
Triceps

Stand with right elbow flexed 90 degrees and locate the center of the back of the upper arm midway between the shoulder and the elbow. Relax arm at your side. Pick up skinfold as pictured.



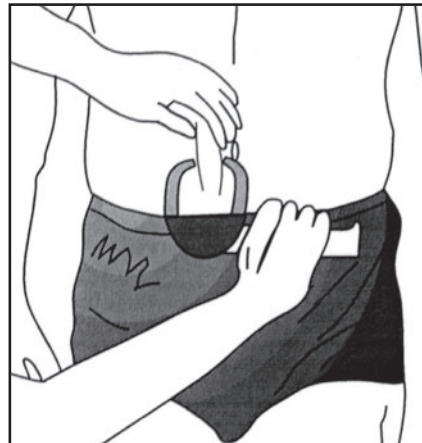
Thigh

Stand relaxed with most of the weight on your left leg. Pick up a skinfold in the vertical plane on the front side of the right thigh, midway between the hip and knee joints.



Chest

Stand relaxed. Pick up a diagonal skinfold over the right pectoralis muscle, midway between the armpit and the nipple.



Abdomen

Stand relaxed. Pick up a vertical skinfold on the right side of the navel.

Measurements

Using Calipers When Measuring Skinfolts

The procedure for measuring skinfold thickness is to grasp firmly with the thumb and forefinger a fold of skin and surface fat and pull it away from the underlying muscle. Take the caliper in your other hand and open the jaws. Clamp the jaws over the pinched skin and fat. The jaws exert constant tension at the point of contact with the skin. The thickness of the double layer of skin and fat can then be read directly from the caliper, which is marked in millimeters.

Women

Suprailium _____

Triceps _____

Thigh _____

Total _____

Men

Chest _____

Abdomen _____

Thigh _____

Total _____

Use these figures on the following chart to determine your body-fat percentage and enter the number on the line below.

Starting body-fat percentage _____

Optional Picture Taking

Pictures can be the most exciting evaluation you can do. The numbers and the tape measurements are great, but actually seeing differences from comparison photographs of yourself is quite satisfying.

Taking full-length photographs is not difficult, but to see the maximum difference between before and after, you should follow these guidelines.

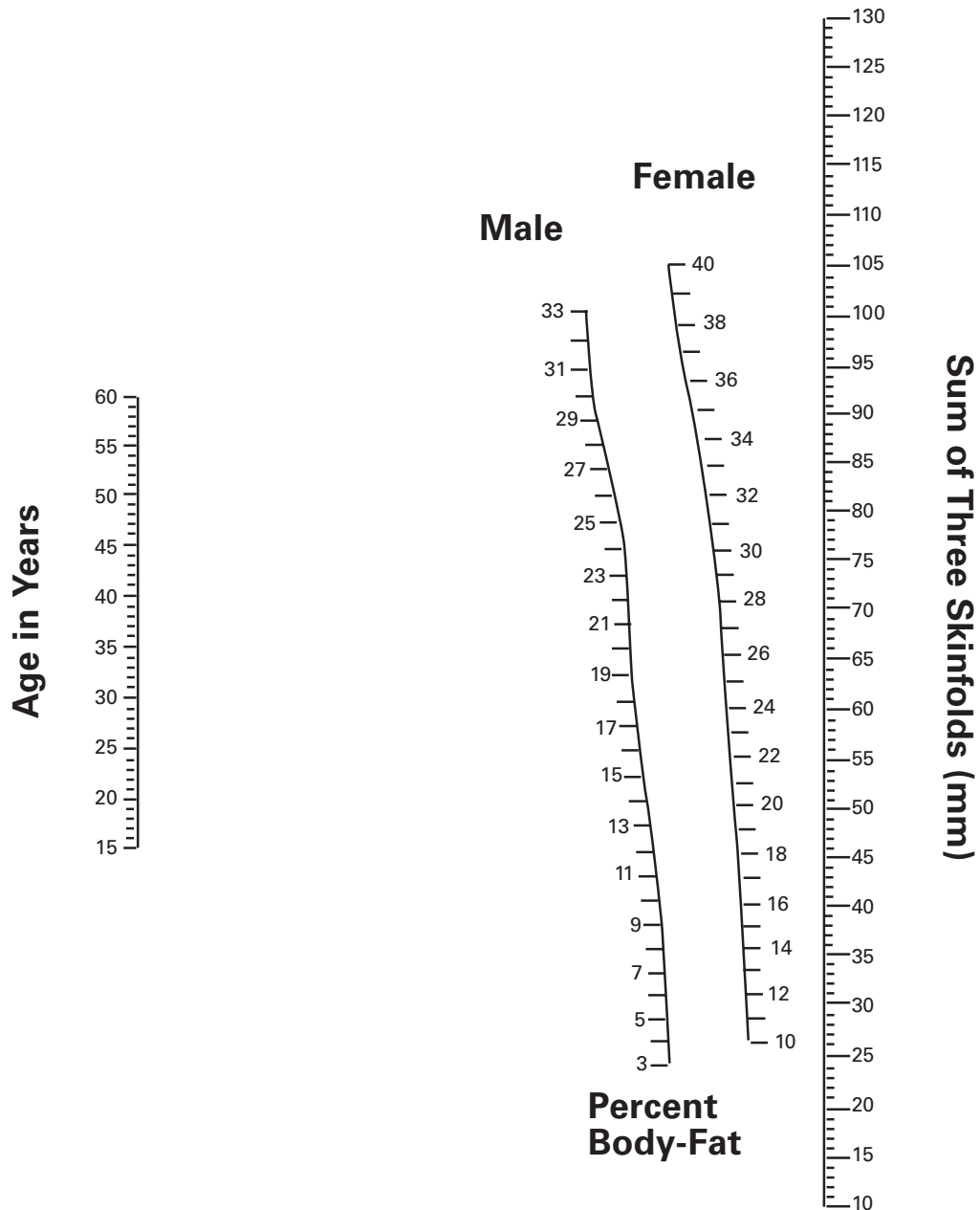
- 1) Keep everything the same. Wear the same outfit, a snug solid color is best, and have the person taking the picture stand in the same place, with the same setting behind you.
- 2) Make sure you stand against an uncluttered, light background.
- 3) Have the person taking the photograph move away from you until he can see your entire body in the viewfinder.
- 4) Stand relaxed for three pictures, front, right side, and back. Do not try to suck in your stomach.
- 5) Interlace your fingers and place them on top of your head, so the contours of your torso will be plainly visible. Keep your feet 8" (20 cm) apart in all three pictures.
- 6) When you get the film developed tell the processors to make your after photos the same size as your previous ones. This way, your height in both sets of photos is equal and more valid comparisons can be made.

Determining Your Body Fat

To Use The Nomogram:

- 1) Locate the sum of your three skinfolds in the right column and mark it.
- 2) Locate your age in years on the far left column and mark it.
- 3) Connect the two marks with a straightedge. Where the straightedge intersects the line in the middle column appropriate to you, you will find your body-fat percentage.

Baun, W.D, Baun, M.R., and Raven, P.B. A nomogram for the estimate of percent body fat from generalized equations. *Research Quarterly for Exercise and Sport*, 52:380-384, 1981.



Calculating Lean Body Mass

Now that you know your body-fat percentage, you can calculate your lean-body percentage. This will eventually show you how many pounds of muscle were added to your body, after completing the program.

For Example:

Before the program, Joe weighs 200 pounds (90.7 kg) and measures 30% fat, which amounts to 60 pounds (27.2 kg). Thus, his lean-body mass is 70%, or 140 pounds (63.5 kg).

After the program, Joe weighs 180 pounds (81.6 kg) and is 20% fat, which equals 36 pounds (16.3 kg). His lean-body mass is 80%, or 144 pounds (65.3 kg).

Simple calculations allow us to find the amount of fat Joe lost, and the amount of muscle Joe gained. Before fat weight (60 pounds), minus after fat weight (36 pounds) equals 24 pounds (10.8 kg) of fat lost. After lean-mass weight (144 pounds) minus before lean-mass weight (140 pounds) equals 4 pounds (1.8 kg) of muscle gained.

Enter Your Information Here: (*Pounds or Kilograms*)

Before

Body Weight		Fat Percentage	=	Body Fat Weight
<input type="text"/>	X	<input type="text"/>	=	<input type="text"/>
Body Weight		Weight of Body Fat	=	Lean-Body Weight
<input type="text"/>	—	<input type="text"/>	=	<input type="text"/>

Use the Same Factors to Calculate After Six Weeks.

After

Body Weight		Fat Percentage	=	Body Fat Weight
<input type="text"/>	X	<input type="text"/>	=	<input type="text"/>
Body Weight		Weight of Body Fat	=	Lean-Body Weight
<input type="text"/>	—	<input type="text"/>	=	<input type="text"/>

Final Results

Before Body Fat Weight		After Body Fat Weight	=	Total Fat Lost
<input type="text"/>	—	<input type="text"/>	=	<input type="text"/>
After Lean-Mass Weight		Before Lean-Mass Weight	=	Total Lean-Mass Gained
<input type="text"/>	—	<input type="text"/>	=	<input type="text"/>

Your Results Summary Sheet

Name _____ Age _____
Height _____ Weight Loss _____
Weight Before _____ Muscle Gain _____
Weight After _____ Fat Loss _____

Please follow the instructions in the "Measurements" section for measuring circumferences.

Measurements	Before	After	Difference
Right Arm	_____	_____	_____
Left Arm	_____	_____	_____
2" (5 cm) Above Navel	_____	_____	_____
Navel	_____	_____	_____
2" (5 cm) Below Navel	_____	_____	_____
Hips	_____	_____	_____
Right Thigh	_____	_____	_____
Left Thigh	_____	_____	_____
		Total	_____
Percent Body Fat	_____	_____	_____

If you wish to send in your results to Bowflex, please send to: Bowflex Results, 16400 S.E. Nautilus Drive, Vancouver, WA. 98683. Or you may fax this sheet to Bowflex Results at 1-360-694-7755. Please include your name, address, and phone number. Submissions may be selected for use in promotional marketing materials.

The Workouts

GUIDELINES Week 1&2

All exercises should be practiced with one set of 8 to 12 repetitions. The style of performance is very important. The movement for each repetition should be 4 seconds in the positive phase and 4 seconds in the negative. Keep the motion slow and smooth. When 12 repetitions are accomplished, increase the resistance by approximately 5 percent. Keep the time between exercises to a minimum, no longer than **60** seconds. No workout should take more than 30 minutes to complete. Perform each workout three days a week.

Exercise	Sets	Reps
Leg Curl	1	8-12
Leg Extension	1	8-12
Bench Press	1	8-12
Lying Biceps Curl	1	8-12
Seated Shoulder Press	1	8-12
Seated Abdominal Crunch	1	8-12

GUIDELINES Week 3&4

All exercises should be practiced with one set of 8 to 12 repetitions. The style of performance is very important. The movement for each repetition should be 4 seconds in the positive phase and 4 seconds in the negative. Keep the motion slow and smooth. When 12 repetitions are accomplished, increase the resistance by approximately 5 percent. Keep the time between exercises to a minimum, no longer than **45** seconds. No workout should take more than 30 minutes to complete. Perform each workout three days a week.

Exercise	Sets	Reps
Leg Curl	1	8-12
Leg Extension	1	8-12
Bench Press	1	8-12
Lying Biceps Curl	1	8-12
Seated Shoulder Press	1	8-12
Rear Deltoid Rows*	1	8-12
Seated Triceps Extension	1	8-12
Seated Abdominal Crunch	1	8-12

GUIDELINES Week 5&6

All exercises should be practiced with one set of 8 to 12 repetitions. The style of performance is very important. The movement for each repetition should be 4 seconds in the positive phase and 4 seconds in the negative. Keep the motion slow and smooth. When 12 repetitions are accomplished, increase the resistance by approximately 5 percent. Keep the time between exercises to a minimum, no longer than **30** seconds. No workout should take more than 30 minutes to complete. Perform each workout three days a week.

Exercise	Sets	Reps
Leg Curl	1	8-12
Leg Extension	1	8-12
Leg Press	1	8-12
Bench Press	1	8-12
Lying Biceps Curl	1	8-12
Lying Shoulder Pullover	1	8-12
Reverse Fly	1	8-12
Rear Deltoid Rows*	1	8-12
Seated Triceps Extension	1	8-12
Seated Abdominal Crunch	1	8-12

* The Upright Row exercise was used in Dr. Darden's original study. Although many people have used this exercise for years, recent information in the Physical Therapy field has caused the authors of this manual to caution against performing this exercise because of the unnatural twisting movement created in the shoulder joint. We suggest you substitute Rear Deltoid Rows for the upright Row exercise.

Eating Guidelines

You will be following a reduced-calorie nutrition program, which is divided into three two-week segments. The program is a proven method for achieving maximal fat loss over a six-week period. It consists of a carbohydrate-rich, descending-calorie eating plan, and a superhydration routine.

Follow a Carbohydrate-Rich, Descending-Calorie Eating Plan:

Approximately 60 percent of the daily calories should be from carbohydrates. The other 40 percent will be equally divided between proteins and fats. The 60:20:20 ratio of carbohydrates, proteins, and fats is ideal for maximum fat loss.

Keep Menus Simple and Food Substitutions to a Minimum:

Research has established that successful dieters prefer the same foods each day for breakfast and lunch. They like variety, however, for dinner. Detailed menus and food choices are included later in this manual.

If you must vary from the menu items, try to stay within the 60:20:20 ratio of carbohydrates, proteins and fats.

For Example			
Daily Amount	Carbohydrate	Protein	Fat
Calories	60%	20%	20%
2000	1200	400	400
1900	1140	380	380
1800	1080	360	360
1700	1020	340	340
1600	960	320	320
1500	900	300	300
1400	840	280	280
1300	780	260	260
1200	720	240	240
1100	660	220	220
1000	600	200	200

Avoid Too Much Stress:

Too much stress of any kind can cause the body to actually preserve fat stores. You should relax more. An after-dinner walk at a leisurely pace is helpful. Extra sleep is suggested, since sleep facilitates fat loss and muscle recovery. Furthermore, to keep the body well rested, **no other exercises or activities are allowed during the six-week program.** This is a scientifically proven program that works. More is not better. Any additional exercise other than the amount recommended can and will harm your fat loss.

Superhydrate Your System

Drinking plenty of water is essential to the success of this program. Drinking the recommended amount of water can seem like a challenge at first. Stick with it. Carry a large sports bottle or similar item with you throughout the day. After several weeks, you will find that you actually thirst for more and more water, and the amounts recommended are easily reached.

Superhydration aids fat loss in a number of ways. First, the kidneys are unable to function without adequate water. When they do not work to capacity some of their load is dumped onto the liver.

This diverts the liver from its primary function, which is to metabolize stored fat into usable energy. Because it's performing the chores of the water-depleted kidneys, the liver metabolizes less fat.

Second, overeating can be averted through water intake, as water can keep the stomach feeling full and satisfied between meals.

Third, ice-cold water requires calories to warm it to core body temperature. In fact, **1 US gallon of ice cold water (3.8 l) generates 123 calories of heat energy.**

You'll be drinking from 1 to 1 5/8 US gallons (3.8 - 6.2 l) of water each day on the following superhydration schedule:

Week 1 = drink four 32-oz. bottles (3.8 l) of ice-cold water per day.

Week 2 = drink four and a half 32-oz. bottles (4.3 l) of ice-cold water per day.

Week 3 = drink five 32-oz. bottles (4.6 l) of ice-cold water per day.

Week 4 = drink five and a half 32-oz. bottles (5.2 l) of ice-cold water per day.

Week 5 = drink six 32-oz. bottles (5.7 l) of ice-cold water per day.

Week 6 = drink six and a half 32-oz. bottles (6.2 l) of ice-cold water per day.

Don't be surprised if you have to make more than a dozen trips to the restroom, especially during the first week of the program. Remember, your body is an adaptive system, and it will soon accommodate the increased water consumption.

Note: *Although it is doubtful that you could ever drink too much water, a few ailments can be negatively affected by large amounts of fluid. For example, anyone with a kidney disorder, or anyone who takes diuretics, should consult a physician before going on the recommended water-drinking schedule. If you have any doubts about the recommendations, play it safe and check with your doctor.*

The Eating Plan

The menus in the Bowflex eating plan are designed for maximum fat-loss effectiveness and nutritional value. For best results, follow them exactly.

Every attempt has been made to utilize current popular brand names and accurate calorie counts, which are listed in the menus. But as you probably realize the products are sometimes changed or discontinued. If a listed item is not available in your area, you'll need to substitute a similar product. Become an informed label reader at your supermarket. Ask questions about any products you don't understand. Supermarket managers are usually helpful. If they don't have an answer to your question, they will get it for you.

Each day you will choose a limited selection of foods for breakfast and lunch. Most people can consume the same basic breakfast and the same basic lunch for months with little modification. Ample variety during your evening meal, however, will make daily eating interesting and enjoyable. Additionally, the eating plan includes a mid-afternoon and late-night snack to keep your energy high and your hunger low.

Begin Week 1 on Monday and continue through Sunday. Week 2 is a repeat of Week 1. Calories for each food are noted in parentheses. A shopping list follows.

The eating plan for the next six weeks descends:

Week 1 & 2:

Men 1500 calories per day.

Women 1200 calories per day.

Week 3 & 4:

Men 1400 calories per day.

Women 1100 calories per day.

Week 5 & 6:

Men 1300 calories per day.

Women 1000 calories per day.

You'll always have a 300 calorie breakfast, a 300 calorie lunch, and a 300 calorie dinner (women), or 500 calorie dinner (men). With each two-week descend, only your snack calories will change: from 400 to 300 to 200 calories per day (men), or 300 to 200 to 100 calories per day (women). For each of your five daily meals, you'll have at least three choices.

Everything has been simplified so even the most kitchen-inept man or woman can succeed. Very little cooking is required. All you have to do is read the menus, select your food choices, and follow the directions. It's as simple as that.

If you find that you wish to vary from the outline menu items try to stay with in the 60:20:20 ratio of carbohydrates, proteins, and fats.

The Eating Plan - US Measurements

Breakfast = 300 calories

Choice of bagel, cereal or shake.

Bagel

1 plain bagel, Sarah Lee (frozen) (210)
3/4 oz. light cream cheese (45)
1/2 C. orange juice, fresh or frozen (55)
Any beverage without calories, caffeine, or sodium, such as decaffeinated coffee or tea.

Cereal

1.5 oz. (42 grams) serving equals approximately 165 calories.
Choice of one: Kellogg's Low Fat Granola (without raisins), General Mills Honey Nut Clusters, General Mills Basic 4
1/2 C. skim milk (45)
3/4 C. orange juice (82)
Noncaloric beverage

Shake (choice of one shake)

Place ingredients in blender. Blend until smooth.

Banana-Orange Shake

1 large banana (8 3/4 inches long) (100)
1/2 C. orange juice (55)
1/2 C. skim milk (45)
2 T. wheat germ (66)
1 t. safflower oil (42)
2 ice cubes (optional)

or Chocolate or Vanilla Shake

1 packet Carnation Instant Breakfast, Champion UltraMet, or another diet shake powder that contains the appropriate calories (100)
1 C. skim milk (90)
1/2 large banana (8 3/4 inches long) (50)
1 t. safflower oil (42)
1 t. Carnation Malted Milk powder (20)
2 ice cubes (optional)

Lunch = 300 calories.

Choice of sandwich, soup or salad.

Sandwich

2 slices whole wheat bread (140)
2 t. Promise Ultra Vegetable Oil Spread (24)
2 oz. white meat (about 8 thin slices), chicken or turkey (80)
1 oz. fat-free cheese (1 1/2 slices) (50)
(Opt.: Add to bread 1 t. Dijon mustard (0)
Noncaloric beverage

Soup (choice of one soup)

• Healthy Choice Hearty Chicken, 15-oz. can (260), or
• Campbell's Healthy Request Hearty Vegetable Beef, 16-oz. can (260)
1/2 slice whole-wheat bread (35)
Noncaloric beverage

Chef Salad

2 C. lettuce, chopped (20)
2 oz. white meat, chicken or turkey (80)
2 oz. fat-free cheese (100)
4 slices tomato, chopped (28)
1 T. Italian, fat-free dressing (6)
1 slice whole wheat bread (70)
Noncaloric beverage

Mid-Afternoon Snack

Men—200 calories for Weeks 1&2;
150 calories for Weeks 3&4;
100 calories for Weeks 5&6.

Women—150 calories for Weeks 1&2;
100 calories for Weeks 3&4;
50 calories for Weeks 5&6.

Choose calories from:

1 large banana (8 3/4 inches long) (100)
1 apple (3-inch diameter) (100)
1/2 cantaloupe (5-inch diameter) (94)
5 dried prunes (100)
1 oz. (2 small 1/2 oz. boxes) raisins (82)
1 C. light, nonfat, flavored yogurt (100)

Dinner

Men—500 calories, **Women**—300 calories

Choice of tuna salad dinner, steak dinner or frozen microwave dinner.

Tuna Salad Dinner

In a large bowl, mix the following:
1 6-oz. can chunk light tuna in water (180)
1 T. Hellmann's Light, Reduced-Calorie Mayonnaise (50)
2 T. sweet pickle relish (40)
1/4 C. whole kernel corn, canned, no salt added (30)
Noncaloric beverage
Men add:
1/2 C. sliced white potatoes, canned (45)
2 slices whole wheat bread (140)

Steak Dinner

3 oz. lean sirloin, broiled (176)
1/2 C. sweet peas, canned, no salt added (60)
1/2 C. beets, canned (35)
1/2 C. skim milk (45)
Noncaloric beverage
Men add:
2 slices whole wheat bread (140)
1 t. Promise Ultra Vegetable Oil Spread (12)
1/2 C. skim milk (45)

Frozen Microwave Dinner

Choice of one meal:

• Glazed Chicken Dinner, Lean Cuisine (230)
2/3 C. skim milk (60)
Noncaloric beverage
• Lasagna with Meat Sauce, Lean Cuisine (240)
1/2 C. skim milk (45)
Noncaloric beverage
• Macaroni and Cheese, Weight Watchers (260)
1/2 C. skim milk (45)
Noncaloric beverage
• Broccoli & Cheddar Cheese Sauce over Baked Potato, Lean Cuisine Lunch Express (250)
1/2 C. skim milk (45)
Noncaloric beverage
• Grilled Turkey Breast, Healthy Choice (260)
1/2 C. skim milk (45)
Noncaloric beverage

Men add:

2 slices whole wheat bread (140)
2 t. Promise Ultra Vegetable Oil Spread (24)
1/2 C. skim milk (45)

Late-Night Snack

Men—200 calories for 1&2; 150 calories for Weeks 3&4; 100 calories for Weeks 5&6.

Women—150 calories for Weeks 1&2; 100 calories for Weeks 3&4; 50 calories for Weeks 5&6.

Choose calories from afternoon snack selections plus the following:

1/2 C. low-fat frozen yogurt (100)
2 C. light, microwave popcorn (100)

The Eating Plan - Metric Measurements*

Breakfast = 300 calories

Choice of bagel, cereal or shake.

Bagel

1 plain bagel, Sarah Lee (frozen) (210)
21 g light cream cheese (45)
120 ml orange juice, fresh or frozen (55)
Any beverage without calories, caffeine, or sodium, such as decaffeinated coffee or tea.

Cereal

42 gram serving equals approximately 165 calories.
Choice of one: Kellogg's Low Fat Granola (without raisins), General Mills Honey Nut Clusters, General Mills Basic 4
120 ml skim milk (45)
177 ml orange juice (82)
Noncaloric beverage

Shake (choice of one shake)

Place ingredients in blender. Blend until smooth.

Banana-Orange Shake

1 large banana (22 cm long) (100)
120 ml orange juice (45)
120 ml skim milk (45)
15 ml wheat germ (66)
5 ml safflower oil (42)
2 ice cubes (optional)

or Chocolate or Vanilla Shake

1 packet Carnation Instant Breakfast, Champion UltraMet, or another diet shake powder that contains the appropriate calories (100)
240 ml skim milk (90)
1/2 large banana (22 cm long) (50)
5 ml safflower oil (42)
5 ml Carnation Malted Milk powder (20)
2 ice cubes (optional)

Lunch = 300 calories.

Choice of sandwich, soup or salad.

Sandwich

2 slices whole wheat bread (140)
10 ml Promise Ultra Vegetable Oil Spread (24)
57 g white meat (about 8 thin slices), chicken or turkey (80)
28 g fat-free cheese (1 1/2 slices) (50) (Opt.: Add to bread 5 ml Dijon mustard (0))
Noncaloric beverage

Soup (choice of one soup)

• Healthy Choice Hearty Chicken, 420 g can (260), or
• Campbell's Healthy Request Hearty Vegetable Beef, 450 g can (260)
1/2 slice whole-wheat bread (35)
Noncaloric beverage

Chef Salad

480 ml lettuce, chopped (20)
57 g white meat, chicken or turkey (80)
57 g fat-free cheese (100)
4 slices tomato, chopped (28)
15 ml Italian, fat-free dressing (6)
1 slice whole wheat bread (70)
Noncaloric beverage

Mid-Afternoon Snack

Men—200 calories for Weeks 1&2;

150 calories for Weeks 3&4;

100 calories for Weeks 5&6.

Women—150 calories for Weeks 1&2;

100 calories for Weeks 3&4;

50 calories for Weeks 5&6.

Choose calories from:

1 large banana (22 cm long) (100)
1 apple (7.6 cm diameter) (100)
1/2 cantaloupe (12.7 cm diameter) (94)
5 dried prunes (100)
28 g (2 small 14 g. boxes) raisins (82)
240 ml light, nonfat, flavored yogurt (100)

Dinner

Men—500 calories, **Women**—300 calories

Choice of tuna salad dinner, steak dinner or frozen microwave dinner.

Tuna Salad Dinner

In a large bowl, mix the following:
1 can (170 g) chunk light tuna in water (180)
15 ml Hellmann's Light, Reduced-Calorie Mayonnaise (50)
30 ml sweet pickle relish (40)
60 ml whole kernel corn, canned, no salt added (30)
Noncaloric beverage

Men add:

120 ml sliced white potatoes, canned (45)
2 slices whole wheat bread (140)

Steak Dinner

85 g lean sirloin, broiled (176)
120 ml sweet peas, canned, no salt added (60)
120 ml beets, canned (35)
120 ml skim milk (45)
Noncaloric beverage
Men add:
2 slices whole wheat bread (140)
5 ml Promise Ultra Vegetable Oil Spread (12)
120 ml skim milk (45)

Frozen Microwave Dinner

Choose one meal:

• Glazed Chicken Dinner, Lean Cuisine (230)
160 ml skim milk (60)
Noncaloric beverage
• Lasagna with Meat Sauce, Lean Cuisine (240)
120 ml skim milk (45)
Noncaloric beverage
• Macaroni and Cheese, Weight Watchers (260)
120 ml skim milk (45)
Noncaloric beverage
• Broccoli & Cheddar Cheese Sauce over Baked Potato, Lean Cuisine Lunch Express (250)
120 ml skim milk (45)
Noncaloric beverage
• Grilled Turkey Breast, Healthy Choice (260)
120 ml skim milk (45)
Noncaloric beverage

Men add:

2 slices whole-wheat bread (140)
10 ml Promise Ultra Vegetable Oil Spread (24)
120 ml skim milk (45)

Late-Night Snack

Men—200 calories for 1&2; 150 calories for Weeks 3&4; 100 calories for Weeks 5&6.

Women—150 calories for Weeks 1&2; 100 calories for Weeks 3&4; 50 calories for Weeks 5&6.

Choose calories from afternoon snack selections plus the following:

120 ml low-fat frozen yogurt (100)
240 ml light, microwave popcorn (100)

* Nutritionally equivalent products with similar calorie counts may be substituted if recommended products cannot be found.

Shopping List

Quantities needed for listed items will depend on your specific selections. Review your choices and adjust the shopping list accordingly. It may be helpful for you to photocopy this list each week before doing your shopping.

Staples

Orange juice, skim milk, whole-wheat bread, Promise Ultra Vegetable Oil Spread, Italian fat-free dressing, Dijon mustard, safflower oil, noncaloric beverages (tea, decaffeinated coffee, diet soft drinks, water).

Grains

Bagels, Sarah Lee (frozen)

Cereals — 1.5 oz. (42 g) serving equals approximately 165 calories; Kellogg's Low-Fat Granola (without raisins), General Mills Honey Nut Clusters, General Mills Basic 4.

Wheat germ, malted milk powder, popcorn (microwave light).

Fruits

Bananas, large (8 3/4 inches [22 cm] long), apples (3-inch [7.6 cm] diameter), cantaloupes (5-inch [12.7 cm] diameter), dried prunes, raisins.

Vegetables

Lettuce, tomatoes, whole kernel corn (canned no salt added), sweet peas, (canned no salt added), sliced white potatoes (canned), cut beets (canned).

Dairy

Yogurt (light nonfat), cream cheese (light), cheese (fat-free), low-fat frozen yogurt, Carnation Instant Breakfast packets, Champion UltraMet Packets.

Meat, Poultry, Fish and Entrees

Chicken (thin sliced), turkey (thin sliced), tuna (canned in water), sirloin steak (lean).

Canned soup:

Healthy Choice Hearty Chicken, Campbell's Healthy Request Hearty Vegetable Beef.

Frozen microwave dinners or entrees:

Lean Cuisine Glazed Chicken Dinner, Lean Cuisine Lasagna with Meat Sauce, Lean Cuisine Lunch Express Broccoli & Cheddar Cheese over Potato, Weight Watchers Macaroni and Cheese, Healthy Choice Grilled Turkey Breast.

Q & A

Q. I often get headaches when I eat only 1000 calories a day. What should I do?

A. Your headaches may be caused by going longer than three hours between meals or snacks. Try spacing your meals and snacks where there are fewer hours between them.

Some people who are used to drinking regular coffee with caffeine notice headaches when they stop consuming coffee for several days. If this is the case with you, you might want to ease off the coffee more gradually.

Q. I don't like red meat. I notice that the Lean Cuisine Lasagna with Meat Sauce contains beef. What can I substitute for it?

A. Lean Cuisine has many other frozen dinners that you may substitute for Lasagna with Meat Sauce. Try to find one that contains the same calories, with approximately 15 to 20 percent of the calories coming from fat. Some of the Lean Cuisine dinners actually have too little fat for my nutritional requirements.

Q. May I have dinner for lunch and lunch for dinner?

A. Yes.

Q. I tend to get a headache when I drink cold water. Can I drink water without it being chilled?

A. Yes, but you won't get the thermogenic effect from warming the cold water to core body temperature. Try a more gradual drinking of the cold water. You may have been consuming it too quickly.

Q. Is it possible to drink too much water?

A. Certainly. To do so, however, you'd probably have to drink four or five times as much per day as I'm recommending. There are a few ailments that can be negatively affected by large amounts of fluid. If you feel you have a problem, check with your doctor before starting the program.

Q. Is bottled water better than tap water?

A. Research shows that bottled water is not always higher quality water than tap water. The decision to drink bottled water or not is usually one of taste. If

you dislike the taste of your tap water, then drink your favorite bottled water. But first you might want to try a twist of lemon or lime added to the water from your tap. Some people say it makes a significant difference in the taste.

Q. I'm a middle-aged woman who gets black and blue marks on my legs when I diet. Am I doing anything wrong?

A. I doubt you are doing anything wrong. Such black and blue marks are usually the result of an increased level of estrogen circulating in your body, which weakens the walls of the capillaries and causes them to break under the slightest pressure. When this happens, blood escapes and a bruise occurs. Estrogen is broken down in the liver, and so is fat. When you are dieting, your liver breaks down the fat, leaving a lot more estrogen in the bloodstream.

It may be helpful to supplement your diet with a little extra vitamin C each day to help toughen the walls of the capillaries.

Q. I'm a 40-year-old woman with a teenage son and daughter. My husband and I both want to lose 10 pounds (4.5 kg) and the children would also like to lose some weight. Can I put the whole family on the program?

A. It would be great if you could, but you cannot. The number of calories per day is the problem. Teenagers require significantly more calories each day than 1500, which is the highest level. Check with a registered dietician (RD) for appropriate recommendations.

Your teenage son and daughter, however, could follow the Bowflex exercise routines.

Q. I'm afraid that I might get large, unfeminine muscles from some of the Bowflex exercises you recommend in this course. What can I do to prevent this from happening?

A. You are worrying about large muscles unnecessarily. Building large muscles requires two conditions. First, the individual must have long muscles and short tendons. Second, an abundance of testosterone must be present in the blood stream. Women almost never have either of these conditions.

Under no circumstances could 99.99 percent of

Q & A

American women develop excessively large muscles. Progressive resistance exercise such as Bowflex will make your muscles larger – but not excessively large – and larger muscles will make your body firmer and more shapely.

Q. Why is it so important I perform the Bowflex exercises with a 4-second count on the lifting and lowering?

A. Because a slow, smooth 4-second lifting followed by a 4-second lowering involves more muscle fibers more thoroughly than faster speeds of movement. The more completely each involved muscle fiber works simply means you'll get better muscle-building results.

Q. I'm confused about how to breathe during each Bowflex exercise?

A. Let's say your goal is to do 10 repetitions on a specific Bowflex exercise that is performed in the recommended 4-second lifting and 4-second lowering style. Here are the proper breathing guidelines to follow:

One suggestion is to team up with a partner. Most people are more motivated and make better progress if they go through the program with a friend. In selecting a training partner, here are several things to keep in mind:

- Your partner should be similar to you in age and condition.
- Your partner should be serious about getting into shape and making a commitment. That commitment means you'll be exercising together one hour, three times per week. Each of your joint training sessions should take approximately 50 minutes: 25 minutes for your workout and 25 minutes supervising your partner's workout.
- Your partner should be someone with whom you'll share a spirit of cooperation, not competition.
- Your partner should not be your spouse, brother, sister, or other family member. You do not want normal interpersonal problems to interfere with the training.

Q. Why won't you allow me to do aerobic dancing on my off-days to speed up the loss of body fat?

A. Because doing so doesn't speed up fat loss. Aerobic

dancing – and other activities such as running, swimming, cycling, stair-stepping, and racquetball – do not contribute significantly to the fat-loss process. In fact, when added to proper strength training they can actually retard the reduction of fat.

Fat loss is retarded in two ways. Too much repetitive activity prevents maximum muscle building by using up your recover ability. A well-rested recover ability is necessary for muscle growth. Too much activity — especially if you are on a reduced-calorie diet — causes you to get the blahs and quickly lose your enthusiasm. If this happens, you're sure to break your diet.

The primary purpose of this program is to lose fat in the most effective and most efficient manner. Fat loss is prioritized and maximized by building muscle at the same time. The muscle-building process is optimized by a well-rested recovery ability, which necessitates keeping your strenuous and moderately strenuous activities to a bare minimum.

Once you get your body fat to a low level, you can add other activities — and I encourage you to do so — to your weekly fitness schedule. For now, follow the plan exactly as directed.

Q. What happens after six weeks? How do I continue the program if I need to lose more weight?

A. You should repeat the program for as long as it takes you to reach your goal. For example, it took Barry Ozer three six-week sessions – 18 weeks – to lose all of his excessive fat, which amounted to 75 pounds (34 kg). There are, however, a few guidelines and modifications to apply.

Repeat the eating plan exactly as before: Men, go back to 1500 calories a day for two weeks. Women, go back to 1200 calories a day for two weeks. Then, descend your calories in the same manner.

Keep your superhydration schedule at the highest level. In other words, sip 1 5/8 gallons (6.2 l) of ice-cold water each day.

Continue your Bowflex exercise routine at the highest level. Perform the same 10 exercises three times per week. Try to get as strong as you can in each exercise, while always focusing on the 4-second count in both lifting and lowering.

Q & A

Q. I'm pleased that I lost the fat I wanted to lose. What do I do to maintain my new body weight?

A. Once you've lost your excessive fat, your next task is to maintain that status. Here are the adjustments you need to make to your current practices.

Adhere to a carbohydrate-rich, moderate-calorie eating plan.

Instead of eating from 1000 to 1500 calories a day, you'll be consuming from 1600 to 2400 calories per day. Maybe you can eat even more after your new body weight has stabilized. Trial-and-error experimentation is a must. Women should start with 1600 calories, and men with 2000 calories per day. Note what happens after a week. If your body weight keeps going down, raise the calories by 100 or 200, depending on how much weight you lost during the last week. Soon, you should reach a level where your body weight stabilizes. That level is your daily calorie requirement. Naturally, you'll be able to consume other foods than those listed in the Bowflex eating plan. By then, however, you should know the value of being a smart shopper and a wise eater. Read labels. Compare nutritional information. Be conscious of the ideal 60:20:20 ratio for carbohydrates, proteins, and fats.

Eat smaller meals more frequently.

You've been limiting your five meals per day to 300 calories if you're a woman, or 500 calories if you're a man. You may now up the calories by 100. What happens if during a single meal you eat more than 400 calories if you're a woman, or 600 calories if you're a man? Don't panic. Simply understand that you will sometimes backslide. Learn to anticipate these urges and take corrective action.

Drink at least 1 gallon (3.8 l) of cold water each day.

You should realize by now the benefits of consuming plenty of water each day. Make your water bottle a permanent part of your lifestyle.

Train on Bowflex at least twice a week.

There are two primary differences between maintenance and strength-building routines. First, for maintenance, you do not have to increase the

resistance each week or so. If you can do 100 pounds for 12 repetitions on the leg extension, then keep it on 100 pounds and do not go up to 105 pounds. You can maintain the 100-pound level much easier than you can increase it. Second, you do not need to train three times a week. You can maintain your strength at twice a week.

Add variety to your Bowflex routines.

Now is the time to introduce more variety to your routines by adding some new exercises while removing some old ones. Below are two sample routines.

Maintenance Routine 1

1. Seated Hip Abduction
2. Seated Hip Adduction
3. Seated Straight Leg Calf Raise
4. Chest Fly
5. Incline Bench Press
6. Shoulder Pullover
7. Shoulder Shrug
8. Standing Biceps Curl
9. Seated Wrist Curl
10. Seated Wrist Extension

Maintenance Routine 2

1. Leg Curl
2. Leg Extension
3. Standing Lateral Shoulder Raise
4. Seated Shoulder Press
5. Rear Deltoid Row
6. Decline Press
7. Reverse Curl
8. Seated Triceps Extension
9. Low Back Extension
10. Abdominal Crunch

Look in your Bowflex Owner's Manual for descriptions of the new exercises.

Be consistent with your Bowflex exercising, healthy eating, and superhydrating — and your accomplishments may well exceed your goals.

Exercise Log

Please feel free to make copies of this chart to continue your exercise log.

EXERCISE	SETS	DATE	DATE	DATE	DATE	DATE	DATE
<i>Bench Press</i>	Sets	2					
	Reps	10, 9					
	Resistance	120, 130					
	Sets						
	Reps						
	Resistance						
	Sets						
	Reps						
	Resistance						
	Sets						
	Reps						
	Resistance						
	Sets						
	Reps						
	Resistance						
	Sets						
	Reps						
	Resistance						
	Sets						
	Reps						
	Resistance						
	Sets						
	Reps						
	Resistance						
	Sets						
	Reps						
	Resistance						

Define Your Goals

Your body will do what you train it to do. That's why it's important to define your goals and focus them. Here are some fitness components that will help you define your goals and choose your fitness program.

Muscle Strength is the maximum force that you can exert against resistance at one time. Your muscle strength comes into play when you pick up a heavy bag of groceries or lift a small child. It is developed when a localized muscle is worked both positively (concentric) and negatively (eccentric) at a resistance—great enough so you can perform only five to eight repetitions of the exercise before the muscle fails. Each set of repetitions is followed by a rest interval that typically runs three times longer than the set. Later, between exercise sessions, the muscle overcompensates for the stress and usually increases in both strength and size.

Muscle Endurance is the ability to perform repeated contractions. It comes into play when you cross-country ski or work on your feet all day. Endurance training addresses the slow twitch, endurance muscle fibers, which depend on oxygen for energy. To develop muscle endurance, use low resistance and high repetitions about 15-20 repetitions in each set, three sets to each exercise, working the muscle only to fatigue.

Muscle Power is the combination of strength and speed of the muscular contraction. This is often misinterpreted as a) being directly associated with certain skill or sport and/or b) meaning that you must move fast. Load is actually a more important factor than speed when attempting to improve power. When training to achieve muscular power, pick a resistance that fatigues you in the 3-5 repetition range. When performing these reps, it is more important to think of contracting the muscles faster rather than attempting to move faster. Performing sport simulation exercises usually results in a deterioration of the motor pattern or skill. The biomechanically sound method of improving power in your sport is to train for power using the correct joint movements, as described in this manual. Then practice the skill associated with your sport, learning to apply this newly achieved power.

Body Composition is the ratio of fat weight (fat) to lean weight (muscles, bones and tissue). As you age, the ratio shifts. The fat weight increases and the lean weight decreases. Training for muscle strength will generally increase muscle size and aerobic conditioning will help burn extra calories. Performing these two forms of exercise, either at different times or together, will create the greatest changes in body fat weight.

Balanced Strength and alignment are the result of equal strength developed in all parts of the body. It comes into play in your standing and sitting posture, and in your ability to perform just about any activity safely and effectively. An over-development of the back will round the shoulders; weak or stretched abdominals can cause lower back pain. You want a balance of muscle strength in front and back. In addition, you need a balance of strength between your middle, lower, and upper body.

Flexibility is the ability of a muscle or group of muscles to move the joint through a full range of motion. Flexibility comes into play when you execute an overhand serve or stretch for the top shelf in the kitchen. It is a cooperative movement of opposite muscle groups. When a muscle contracts, its opposite muscle group must relax for the action to occur. Increased flexibility means an increased range of motion, made possibly by this simultaneous contracting and relaxing. Good flexibility is important in protecting the body from injury and can be achieved through the balanced strength training programs that are included in this manual.

Cardiovascular Endurance is the ability of the heart and lungs to supply oxygen and nutrients to exercising muscles over an extended period of time. It comes into play when you jog a mile or ride a bike. It is a critical component of overall fitness and health.

Define Your Goals

Design Your Own Program

You may want to design your own personal program specifically geared to your goals and lifestyle. Designing a program is easy, as long as you follow the guidelines below.

Understand fitness and its components:

Improperly designed programs can be dangerous. Take some time to review this manual as well as other fitness guides.

Know your current fitness level: Before you start any fitness program you should consult a physician who will help you determine your current abilities.

Identify your goals: Goals are critical to choosing and designing an exercise program that fits and enhances your lifestyle, but so is strategy. It's important not to rush the process and try to accomplish too much too soon. That will lead to setbacks and discouragement. Instead, set a series of smaller achievable goals.

Select complementary exercises: Be sure to pair exercises that address compound joint movements and single joint movements. In addition, select exercises that address complementary muscle groups.

Put first things first: During each session, first work muscle groups that need the most training.

Remember your cardiovascular component:

Any fitness program must contain a cardiovascular fitness component to be complete. So complement your resistance training with aerobic exercise such as walking, running, or bicycling.

Training variables: When designing your own program there are several variables that, when mixed properly, will equal the right fitness formula for you. In order to find out the best formula, you must experiment with several combinations of variables.

The variables are as follows:

- **Training Frequency:** The number of times you train per week. We recommend daily activity but not daily training of the same muscle group.
- **Training Intensity:** The amount of resistance used during your repetition.
- **Training Volume:** The number of repetitions and sets performed.
- **Rest intervals:** The time you rest between sets and the time you rest between workouts.

Once you've established a base of fitness, follow these basic principles:

- **Isolate muscle groups:** Focus work on specific muscle groups.
- **Progressive Loading:** The gradual systematic increase of repetitions, resistance and exercise period.

Define Your Goals

Working Out

A workout begins in your mind's eye. With concentration and visualization you can approach your workout with a positive, constructive attitude. A good pre-workout mental routine is to sit and relax, so that you can focus on what you are about to do and think about achieving your end goal.

Warming Up

We recommend that you warm up by doing light stretching and performing light exercises on the BowFlex Elite™ Plus home gym.

Cooling Down

An essential part of the exercise routine is the cool down. Gradually reduce the level of exercise intensity so that blood does not accumulate in one muscle group, but continues to circulate at a decreasing rate. Remember to gradually move yourself into a relaxed state.

Breathing

The most important part of breathing during exercise is, quite simply, that you do it. Breathing in or out during the actual performance is not dependent upon the direction of air flow relative to exertion. It is, in fact, a mechanical process that changes the position of your spine as your rib cage moves. Here are some tips for breathing:

- 1) Be cautious when you are concentrating or exerting effort. This is when you will probably hold your breath. **DO NOT** hold your breath. Do not exaggerate breathing. Depth of inhalation and exhalation should be natural for the situation.
- 2) Allow breathing to occur, naturally, don't force it.

Warm Up / Cool Down

Aerobic Rowing – Warm Up or Cool Down

Muscles worked:

Pectoralis Major; Anterior Deltoids

Bench Position:

Removed, Free Sliding Seat

Accessory:

Leg Press Belt

Pulleys:

Chest Bar



Success Tips

- Maintain good spinal alignment. Keep chest lifted.
- Bend from the hip during movement, not from the waist.
- You may hold onto the Leg Press Belt to improve stability.

START

- Remove the Bench and place the Seat in Free Sliding position.
- Attach resistance and sit facing the Power Rod® unit.
- Brace your feet against the Chest Bar.

ACTION

- Initiate movement by extending your knees while simultaneously bending your arms and pinching your shoulder blades together.
- Control the return to the Start position by slowly bending your legs.

Bench Press – Shoulder Horizontal Adduction (and elbow extension)

Muscles worked:

Pectoralis Major; Deltoids; Triceps

Bench Position:

45° incline

Accessory:

Hand Grips

Pulleys:

Chest Bar



Success Tips

- Maintain a 90° angle between upper arms and torso throughout motion.
- Keep chest muscles tightened. Limit and control your range of motion.
- Keep knees bent, feet on floor, head back against bench.
- Keep elbows in front of shoulders.
- Keep shoulder blades pinched together and maintain good spinal alignment.

START

- Grasp Hand Grips in both hands.
- Slowly bend your elbows until hands are at chest level. Rotate upper arms away from torso, elbows out, palms forward.
- Line up arms with cables keeping your wrists straight.
- Raise chest, pinch shoulder blades together, and maintain a slight, comfortable arch in your lower back.

ACTION

- Press your hands forward, straightening your arms while moving your hands together. Do not lock elbows.
- Return to Start position, keeping your wrists at shoulder width and in line with the cables.

Chest Fly – Shoulder Horizontal Adduction (elbow stabilized)

Muscles worked:

Pectoralis Major; Anterior Deltoid

Bench Position:

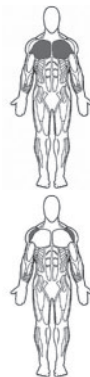
45° incline

Accessory:

Hand Grips

Pulleys:

Chest Bar



Success Tips

- Maintain a 60-90° angle between upper arms and torso during exercise.
- Keep chest muscles tightened. Limit and control your range of motion.
- Keep knees bent, feet on floor, head back against bench.
- To improve your pectoralis involvement, keep your shoulder blades pinched together throughout upward and downward movements.

START

- Grasp Hand Grips in both hands.
- Open your arms into a wide, elbow bent position. Keeping elbows and forearms below chest level, palms forward.
- Raise chest, pinch shoulder blades together, and maintain a slight, comfortable arch in your lower back.

ACTION

- Slowly press your arms forward and upward, straightening arms and moving your hands together.
- Rotate your wrists and forearms upward.
- Slowly return to Start position.

Decline Bench Press – Shoulder Horizontal Adduction (and elbow extension)

Muscles worked:

Pectoralis Major; Deltoids; Triceps

Bench Position:

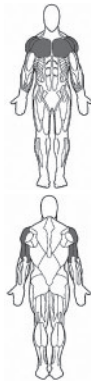
45° incline

Accessory:

Hand Grips

Pulleys:

Chest Bar



START

- Grasp Hand Grips in both hands.
- Cables travel beneath arms, forearms aligned with cables.
- Bend your elbows back, keeping upper arms at a 90° angle from your torso. Elbows should be 10° (5-6" or 13-15 cm) lower than the standard Bench Press position.
- Raise chest, pinch shoulder blades together, and maintain a comfortable arch in lower back.



ACTION

- Slowly press your hands forward, straightening your arms while moving your hands to the center and downward, at least 10° below your shoulders. Do not lock your elbows.
- Slowly return to the starting position, keeping your wrists steady and your movements slow and controlled.

Success Tips

- Maintain a 90° angle between your upper arms and torso at the start of the motion, and slightly less than 90° at the finish.
- Keep knees bent, feet on floor, head back against bench.
- Do not let your elbows travel behind your shoulders.
- Keep shoulder blades pinched together and maintain good spinal alignment.

Incline Bench Press – Shoulder Horizontal Adduction (and elbow extension)

Muscles worked:

Pectoralis Major; Deltoids; Triceps

Bench Position:

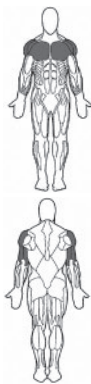
45° incline

Accessory:

Hand Grips

Pulleys:

Chest Bar



START

- Grasp Hand Grips in both hands.
- Cables travel above forearms. Keep your forearms in line with the cables at all times.
- Bend your elbows back, keeping upper arms at a 90° angle from torso. Forearms 10-15° (6-8" or 13-20 cm) higher than Bench Press position.
- Raise chest, pinch shoulder blades together, and maintain a slight arch in your lower back.



ACTION

- Slowly press your hands forward, straightening your arms and moving hands to the center and downward, at least 10° above your shoulders.
- Slowly return to the starting position, keeping your wrists steady and your movements slow and controlled.

Success Tips

- Maintain a 90° angle between your upper arms and torso at the start of the motion, and slightly less than 90° at the finish.
- Keep knees bent, feet on floor, head back against bench.
- Do not let your elbows travel behind your shoulders.
- Keep shoulder blades pinched together and maintain good spinal alignment.

Decline Chest Fly – Shoulder Horizontal Adduction (elbow stabilized)

Muscles worked:

Pectoralis Major; Anterior Deltoid

Bench Position:

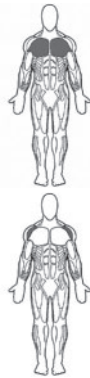
45° incline

Accessory:

Hand Grips

Pulleys:

Chest Bar



START



FINISH

Success Tips

- Maintain a 60-90° angle between upper arms and torso during exercise.
- Keep chest muscles tightened. Limit and control your range of motion.
- Keep knees bent, feet on floor, head back against bench.
- To improve your pectoralis involvement, keep your shoulder blades pinched together throughout upward and downward movements.

START

- Grasp Hand Grips in both hands.
- Open your arms into a wide, elbow bent position, press your forearms downward. At full extension, hands should be level with your hips.
- Raise chest, pinch shoulder blades together, and maintain a slight, comfortable arch in your lower back.

ACTION

- Press your arms forward and upward, straightening arms and moving your hands together.
- Rotate your wrists and forearms upward.
- Return to Start position, slowly returning your arms in front of you, just below chest level.

Incline Chest Fly – Shoulder Horizontal Adduction (elbow stabilized)

Muscles worked:

Pectoralis Major; Anterior Deltoid

Bench Position:

45° incline

Accessory:

Hand Grips

Pulleys:

Chest Bar



START



FINISH

Success Tips

- Maintain a 60-90° angle between upper arms and torso during exercise.
- Keep chest muscles tightened. Limit and control your range of motion.
- Keep knees bent, feet on floor, head back against bench.
- To improve your pectoralis involvement, keep your shoulder blades pinched together throughout upward and downward movements.

START

- Grasp Hand Grips in both hands.
- Open your arms into a wide, elbow bent position. Press your forearms upward. At full extension, your elbows should be level with your ears.
- Raise chest, pinch shoulder blades together, and maintain a slight, comfortable arch in your lower back.

ACTION

- Press your arms forward and upward, straightening arms and moving your hands together.
- Rotate your wrists and forearms upward.
- Return to Start position, slowly returning your arms in front of you, just below chest level.

Resisted Punch – Shoulder Flexion, Elbow Extension, Scapular Protraction

Muscles worked:

Anterior Deltoid; Triceps

Bench Position:

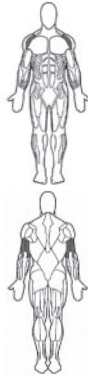
Flat Bench Back

Accessory:

Hand Grips

Pulleys:

Chest Bar



START



FINISH

Success Tips

- Maintain an upright, erect posture as your trunk rotates with the punch.
- Keep knees bent and feet on floor.
- Maintain good spinal alignment.

START

- Sit on the bench facing away from the Power Rod® unit.
- Reach behind your body and grasp one Hand Grip with an overhand grip, as shown above.
- Bend your elbows until your hands are level with your waist.

ACTION

- Using moderate speed, rotate your trunk and press your arm (s) forward to full extension, allowing shoulder blade to move forward at the end of the punch.
- Slowly return to the Start position. Do not relax the tension in your arm.
- You may vary this exercise by using bilateral movement with both arms or punching upward or downward.

Lying Cable Crossover – Shoulder Extension/Adduction (elbow stabilized)

Muscles worked:

Pectoralis Major

Bench Position:

Flat Bench Back

Accessory:

Hand Grips

Pulleys:

Chest Bar



START



FINISH

Success Tips

- Keep chest lifted throughout exercise.
- Keep knees bent, feet on floor, head back against bench.

START

- Lie flat on your back, head toward the Power Rod® unit. Position yourself far enough down the Bench to grasp the Hand Grips over your head with arms straight.
- Grasp the Hand Grips, palms facing up.
- Tighten your abdominals to stabilize your spine. Maintain a slight, comfortable arch in your lower back.

ACTION

- Keeping your arms straight, move your hands in an arc upward and across your torso toward the opposite thigh.
- Control the return to the Start position by slowly moving your arms back overhead, releasing the shoulder blades and keeping arms straight.

Rear Deltoid Rows – Shoulder Horizontal Abduction (and elbow flexion)

Muscles worked:

Rear and Middle Deltoids; Posterior Rotator Cuff; Upper Latissimus; Teres Major; Trapezius; Rhomboids

Bench Position:

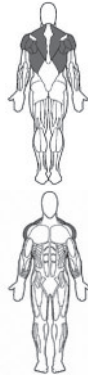
Flat Bench Back

Accessory:

Hand Grips

Pulleys:

Chest Bar



START



FINISH

Success Tips

- Maintain a 90° angle between your upper arms and torso during motion.
- Keep knees bent and feet on floor.
- To work one arm at a time, place non-working hand on bench to stabilize.
- Keep shoulder blades pinched together and maintain good spinal alignment.

START

- Sit on the bench facing Power Rod® unit.
- Grasp the Hand Grips. Keep palms down and arms straight.
- Sit up straight. Bend slightly from hips until arms are in front of body at a 90° angle from torso.
- Lift your chest and keep your shoulder blades together.
- Keep forearms in line with cables.

ACTION

- Allowing your arms to bend slowly, move your elbows outwards and backwards, keeping a 70-90° angle between your upper arms and torso.
- Move until your elbows are slightly behind your shoulders, then slowly reverse back to the Start position.
- Keep your shoulder blades tightened throughout motion.

Standing Lateral Shoulder Raise – Shoulder Extension (elbow stabilized)

Muscles worked:

Middle Deltoids; Upper Trapezius

Bench Position:

Removed

Accessory:

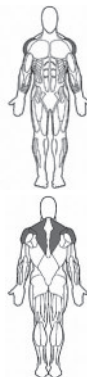
Hand Grips

Pulleys:

Chest Bar

Leg Extension:

Removed



START



FINISH

Success Tips

- Do not swing your arms upward or move your trunk during the motion.
- Keep your feet on floor.

START

- Remove the bench and stand on the platform, straddling the seat rail and facing the Power Rod® unit.
- Grasp the Hand Grips, palms facing each other.
- Align your spine and bend forward slightly at the hips (15-20°).
- Let arms hang in line with cables.
- Elevate shoulders slightly toward back of head, keeping spine aligned.

ACTION

- Slowly raise your arms out to your sides, at a 90° angle from your body.
- Keep your forearms facing outward throughout the movement.
- Slowly return to the Start position without relaxing muscle tension.

Seated Shoulder Press – Shoulder Adduction (and elbow extension)

Muscles worked:

Front Deltoids; Upper Trapezius; Triceps

Bench Position:

Flat Bench Back

Accessory:

Hand Grips

Pulleys:

Chest Bar



START



FINISH

Success Tips

- Keep knees bent and feet on floor.
- Do not increase the arch in your lower back as you raise your arms, but keep your spine steady and tight.
- Keep abdominals tight and maintain good spinal alignment.

START

- Sit on the bench facing away from the Power Rod® unit.
- Keep your chest up, abs tight and maintain a slight arch in lower back.
- Grasp Hand Grips, palms facing out.
- Raise the Hand Grips to shoulder level, keeping your palms facing forward.

ACTION

- Straighten your arms slowly over your head, focusing on moving your elbows up and inward toward your ears.
- Slowly return to the Start position, keeping tension in your front shoulder muscles.

Front Shoulder Raise – Shoulder Flexion (elbow stabilized)

Muscles worked:

Front and Middle Deltoids

Bench Position:

Flat Bench Back

Accessory:

Hand Grips

Pulleys:

Chest Bar



START



FINISH

Success Tips

- Keep abdominals tight and maintain good spinal alignment.
- Keep knees bent and feet on floor.
- Do not increase the arch in your lower back as you raise your arms, but keep your spine steady and tight.

START

- Sit on the bench, facing away from the Power Rod® unit.
- Keep your chest up, abs tight and maintain a slight arch in lower back.
- Grasp the Hand Grips, palms facing back, arms straight at your sides.

ACTION

- Keeping your arms straight, move them forward, leading with your forearms, until arms are extended in front of you at shoulder height.
- Arms may be moved alternately or together.
- Slowly return to the Start position next to the torso.

Shoulder Extension – (elbows stabilized)

Muscles worked:

Latissimus Dorsi; Teres Major; Rear Deltoid; Middle Trapezius; Rhomboids; Triceps

Bench Position:

Flat Bench Back

Accessory:

Hand Grips

Pulleys:

Chest Bar



START



FINISH

Success Tips

- Keep knees bent and feet flat on floor.
- Keep your lats tightened throughout the motion.
- Keep abdominals tight and maintain good spinal alignment.
- Release your shoulder blades at the end of each rep and initiate new rep by retracting your shoulder blades.

START

- Sit on the bench facing Power Rod® unit.
- Grasp the Hand Grips, palms facing down, arms straight and at approximately a 45° angle from torso.
- Tighten your trunk muscles to stabilize your spine while maintaining a slight arch in the lower back.

ACTION

- Initiate movement by pinching shoulder blades together.
- Continue movement by moving your hands in an arc downward, along your sides, until hands are level with hips.
- With controlled movement, slowly return to the Start position.

Shoulder Shrug – Scapular Elevation

Muscles worked:

Upper Trapezius

Bench Position:

Removed

Accessory:

Hand Grips

Pulleys:

Chest Bar



START



FINISH

Success Tips

- Keep abdominals tight and maintain good spinal alignment.
- Do not bend your neck or slouch during this exercise.
- Raise shoulders evenly.
- For variation, try this exercise bent forward slightly from the hips.

START

- Stand on the platform, facing the Power Rod® unit.
- Reach down and grasp the Hand Grips, palms facing each other.
- Let your arms hang at your sides.

ACTION

- Slowly raise your shoulders towards the back of your head, keeping your neck and head still.
- Slowly reverse back to the Start position, keeping your upper trapezius muscles tight throughout the motion.

Scapular Protraction – (elbows stabilized)

Muscles worked:

Serratus Anterior

Bench Position:

45° incline

Accessory:

Hand Grips

Pulleys:

Chest Bar



START



FINISH

Success Tips

- Keep knees bent and feet flat on floor. Lean head back against the bench.
- Keep your spine aligned and a slight arch in your lower back.
- Maintain a 90° angle between upper arms and torso throughout exercise.
- Do not slouch forward or use your arm muscles to assist this motion. Keep this motion only in the shoulder blades

START

- Reach behind your body, grasp the Hand Grips and straighten your arms in front of you at a 90° angle from torso.
- Keep your arms in line with the cables, palms facing down and wrists straight.

ACTION

- Keeping your arms straight and in line with the cables, slowly move your shoulder blades forward off the bench, bringing your hands together using only your shoulder muscles.
- Slowly return to the Start position, keeping tension in your shoulder blades.

Scapular Depression

Muscles worked:

Lower Trapezius

Bench Position:

Flat Bench Back

Accessory:

Hand Grips

Pulleys:

Chest Bar



START



FINISH

Success Tips

- Do not lose spinal alignment—keep your chest lifted and head on bench.
- Keep knees bent and feet flat on floor.

START

- Lie on the bench, head toward the Power Rod® unit.
- Grasp the Hand Grips and bring your arms straight down your sides along your trunk.
- Tighten your trunk muscles to stabilize your spine while maintaining a slight arch in your lower back.

ACTION

- Keeping your arms straight, slide your shoulder blades downward, toward your hips.
- When your shoulder blades have fully depressed, slowly return to the Start position.

Lying Front Shoulder Raise – Shoulder Flexion (elbows stabilized)

Muscles worked:

Front and Middle Deltoids

Bench Position:

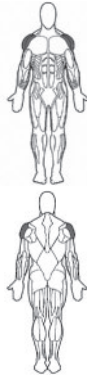
Flat Bench Back

Accessory:

Hand Grips

Pulleys:

Chest Bar



Success Tips

- Keep knees bent and feet flat on floor.
- Keep abdominals tight and maintain good spinal alignment.
- Do not increase the arch in your lower back while you are lifting your arms.

START

- Sit on the bench facing Power Rod® unit.
- Grasp the Hand Grips, palms facing down, arms straight.
- Lie back slowly, supporting your head on the bench.
- Keep your chest lifted, maintaining a slight arch in your lower back.

ACTION

- Keeping your arms straight, move them in an arc upwards until they are directly over your shoulders.
- You may perform this move with both arms simultaneously or one at a time.
- With controlled movement, slowly return to the Start position.

Reverse Fly – Shoulder Horizontal Abduction (elbows stabilized in slight flexion)

Muscles worked:

Rear Deltoids; Middle Deltoids;
Trapezius; Rhomboids

Bench Position:

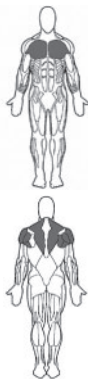
Flat Bench Back

Accessory:

Hand Grips

Pulleys:

Chest Bar



Success Tips

- Do not lose spinal alignment—keep your chest lifted.
- Keep knees bent and feet flat on floor.
- Keep your spine aligned and a slight arch in your lower back.
- Maintain a 90° angle between upper arms and torso throughout exercise.

START

- Sit on the Bench facing the Power Rod® unit.
- Grasp the Hand Grips, palms facing floor, arms nearly straight.
- Sit up straight and bend slightly forward from the hips until arms/cables are in front of body at a 90° angle from torso.

ACTION

- Maintaining the bend in your arms, move your arms outward and backward.
- When your elbows are slightly behind your shoulders, slowly return to the Start position, keeping your rear shoulder muscles tightened throughout movement.

Shoulder Rotator Cuff – Internal Rotation

Muscles worked:

Subscapularis

Bench Position:

Flat Bench Forward

Accessory:

Hand Grips

Pulleys:

Chest Bar



START



FINISH

Success Tips

- Keep knees bent and feet flat on floor. Lean head back against the bench.
- Keep your spine aligned and a slight arch in your lower back.
- Maintain a 90° angle between forearms and torso throughout exercise.
- Do not rotate the spine to get additional range of motion.

START

- Sit on the Bench, one side toward the Power Rod® unit.
- Grasp the Hand Grip nearest you and draw your upper arm into your torso, keeping your forearm at a 90° angle from torso.
- Give yourself enough distance to eliminate slack in the cable.
- Use a light resistance.

ACTION

- Rotate your forearm toward your abdomen, keeping your elbow at your side throughout motion.
- Slowly return to the Start position, maintaining controlled motion.

Shoulder Rotator Cuff – External Rotation

Muscles worked:

Infraspinatus; Teres Minor

Bench Position:

Flat Bench Forward

Accessory:

Hand Grips

Pulleys:

Chest Bar



START



FINISH

Success Tips

- Keep knees bent and feet flat on floor. Lean head back against the bench.
- Keep your spine aligned and a slight arch in your lower back.
- Maintain a 90° angle between forearms and torso throughout exercise.
- Do not rotate the spine to get additional range of motion.

START

- Sit on the Bench, one side toward the Power Rod® unit.
- Using the arm farthest from the Power Rod® unit, grasp the Hand Grip nearest you and draw that upper arm into your torso, keeping your forearm at a 90° angle from torso.
- Allow forearm to rest against your abdomen, elbow at your side to remove cable tension
- Use a light resistance.

ACTION

- Rotate your forearm away from your abdomen, keeping your elbow at your side throughout motion.
- Slowly return to the Start position, maintaining controlled motion.

Seated Lateral Shoulder Raise – Shoulder Flexion (elbows stabilized)

Muscles worked:

Supraspinatus; Middle Deltoids; Trapezius

Bench Position:

Flat Bench Forward

Accessory:

Hand Grips

Pulleys:

Chest Bar



START



FINISH

Success Tips

- Keep knees bent and feet flat on floor.
- Keep abdominals tight and maintain good spinal alignment.
- Do not increase swing arms upward or move trunk during movement.

START

- Sit on the bench facing Power Rod® unit.
- Spread the cuff from the Hand Grips and slide them over your forearms, near the elbow.
- Keep your chest lifted, maintaining a slight arch in your lower back.

ACTION

- Raise your arms directly out to your sides, nearly shoulder level.
- At the top of the movement, you may need to rotate your hands slowly to prevent the cuff from sliding off.
- With controlled movement, slowly return to the Start position.

Scapular Retraction

Muscles worked:

Middle Trapezius; Rhomboids

Bench Position:

Flat Bench Back

Accessory:

Hand Grips

Pulleys:

Chest Bar



START



FINISH

Success Tips

- Do not lose spinal alignment—keep your chest lifted.
- Keep knees bent and feet flat on floor.
- Keep your spine aligned and a slight arch in your lower back.
- Do not use your arm muscles for this movement.

START

- Sit on the Bench facing the Power Rod® unit.
- Grasp the Hand Grips, palms facing each other.

ACTION

- Keeping your arms straight, slowly pinch your shoulder blades together.
- When shoulder blades are fully retracted, slowly return to the Start position.

Lying Lat Pulldowns

Muscles worked:

Latissimus Dorsi; Teres Major;
Rear Deltoids

Bench Position:

Flat Bench Forward

Accessory:

Hand Grips

Pulleys:

Chest Bar



START



FINISH

Success Tips

- Keep knees bent and feet flat on floor. Lean head back against the bench.
- Keep your spine aligned, abs tight and a slight arch in your lower back.
- Keep your lats tightened throughout this exercise.
- Release your shoulder blades at the top of each rep. Initiate each new rep by depressing your shoulder blades.

START

- Lie on your back on the bench, head near the Power Rod® unit.
- Slip your arms through the Hand Grips, slide the cuffs past your elbows and tighten them enough to stabilize.
- With your palms facing inward, slide your body down the bench far enough that your arms are fully extended—your posterior may hang off the end of the bench.

ACTION

- Initiate the movement by pulling your shoulder blades downward. Slowly start bending your elbows, pulling them down toward your hips and then inward into your trunk.
- Slowly return to the Start position, allowing your arms and shoulder blades to move back without relaxing the tension in your shoulders.

Low Back Extension — Seated (with hip extension)

Muscles worked:

Lower Trapezius

Bench Position:

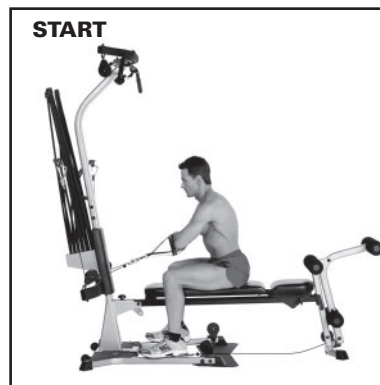
Flat Bench Back

Accessory:

Hand Grips

Pulleys:

Chest Bar



START



FINISH

Success Tips

- Keep knees bent and feet flat on floor. Lean head back against the bench.
- Keep your spine aligned, abs tight and a slight arch in your lower back.
- Keep your lats tightened throughout this exercise.
- Release your shoulder blades at the top of each rep. Initiate each new rep by depressing your shoulder blades.

START

- Sit on the bench, facing Power Rod® unit.
- Grasp the Hand Grips and slide them over your forearms, tightening near your elbows.
- Brace your heels on the platform, knees bent comfortably, arms crossed in front of chest. Pull the Hand Grips into your chest.
- Pinch shoulder blades together and lean forward from the hips only.

ACTION

- Keeping your chest lifted, move your entire torso backwards by pivoting at the hips.
- Slowly return to the Start position without slouching or changing spinal alignment.

Pulldowns – Shoulder Adduction (with elbow flexion)

Muscles worked:

Latissimus Dorsi; Teres Major;
Rear Deltoids; Biceps

Bench Position:

Flat Bench Forward

Accessory:

Bent Lat Bar

Pulleys:

Lat Tower



Success Tips

- Keep knees bent and feet flat on floor.
- To determine the appropriate grip width for you, hold your arms straight out to your sides at shoulder height. Bend your elbows approximately 90°. Hands should be no wider apart than your elbows (beginners may narrow their grip to increase comfort).
- Keep your spine aligned, abs tight and a slight arch in your lower back.

- START**
- Grasp the Bent Lat Bar using the wide grip determined by following the directions in the Success Tips, then sit on the bench, facing the Power Rod® unit.
 - Position your thighs directly under the Lat Tower pulleys. Sit upright.
 - Keep your arms extended and straight.

- ACTION**
- Initiate movement by pulling shoulder blades together while simultaneously drawing elbows down and inward.
 - Bent Lat Bar may not touch your chest. At the end of the motion, arms should be near your sides, shoulder blades fully depressed.
 - Keep forearms facing upward.
 - Slowly return to Start position.

Narrow Pulldowns with Hand Grips – Shoulder Extension (with elbow flexion)

Muscles worked:

Latissimus Dorsi; Teres Major;
Rear Deltoids; Biceps

Bench Position:

Flat Bench Forward

Accessory:

Hand Grips

Pulleys:

Lat Tower



Success Tips

- Keep your chest lifted, abs tight, and a very slight arch in your lower back.
- Keep knees bent and feet flat on floor.
- Keep the lats tightened throughout the entire motion.

- START**
- Attach a Hand Grip to each cable on the Lat Tower Pulleys.
 - Straddle the bench facing the Power Rod® unit, grasp a Hand Grip in each hand, palms facing each other and sit down on the bench.
 - Position your thighs directly under the Lat Tower pulleys. Sit upright.

- ACTION**
- Keep hands at shoulder width, arms straight. Initiate movement by pulling your shoulder blades down and together while simultaneously bending your elbows, drawing them down and inward towards your sides.
 - At the end of the motion, arms should be near your sides, shoulder blades depressed, forearms facing upward.
 - Slowly return to Start position.

Lying Lat Fly – Shoulder Adduction

Muscles worked:

Latissimus Dorsi; Teres Major;
Rear Deltoids; Biceps

Bench Position:

Flat Bench Back

Accessory:

Shoulder Cuff

Pulleys:

Chest Bar



START

- Lie on your back, head toward Power Rod® unit, knees at the edge of bench.
- Grasp the Hand Grips, then straighten your arms out to your sides, hands slightly above your head, palms facing away from pulleys.
- Tighten your abs to stabilize your spine while maintaining a slight arch in your lower back.



ACTION

- Initiate the movement by pulling your shoulder blades downwards. Pull your arms in an arc into your sides, keeping them as straight as possible and using slow, controlled movement.
- Slowly return to the Start position, allowing your arms and shoulder blades to move back upward and outward toward the Power Rod® unit.

Success Tips

- Keep knees bent and feet flat on floor.
- Keep your lats tightened throughout entire motion.
- Keep your spine aligned, abs tight and a slight arch in your lower back.
- Release your shoulder blades at the end of each rep. Initiate each new rep by depressing your shoulder blades.

Lying Narrow Lat Pulldowns

Muscles worked:

Latissimus Dorsi; Teres Major;
Rear Deltoids; Biceps

Bench Position:

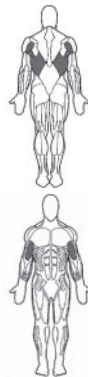
Flat Bench Forward

Accessory:

Bent Lat Bar

Pulleys:

Lat Tower



START

- Lie on your back on the bench, head near the Power Rod® unit.
- Slip your arms through the Hand Grips, slide the cuffs past your elbows and tighten them enough to stabilize.
- With your palms facing inward, slide your body down the bench far enough that your arms are fully extended—your posterior may hang off the end of the bench.



ACTION

- Initiate the movement by pulling your shoulder blades downward. Slowly start bending your elbows, pulling them down toward your hips and then inward into your torso.
- Slowly return to the Start position, allowing your arms and shoulder blades to move back without relaxing the tension in your shoulders.

Success Tips

- Keep knees bent and feet flat on floor. Lean head back against the bench.
- Keep your spine aligned, abs tight and a slight arch in your lower back.
- Keep your lats tightened throughout this exercise.
- Release your shoulder blades at the top of each rep. Initiate each new rep by depressing your shoulder blades

Seated Lat Rows – Shoulder Extension (and elbow flexion)

Muscles worked:

Latissimus Dorsi; Teres Major;
Rear Deltoids; Biceps

Bench Position:

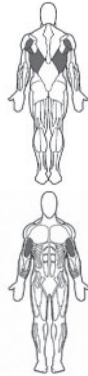
Flat Bench Back

Accessory:

Hand Grips

Pulleys:

Chest Bar



Success Tips

- Keep knees bent and feet flat on floor.
- Do not bend your torso forward.
- Keep your chest lifted and maintain spinal alignment.
- Release your shoulder blades at the end of each rep. Initiate each new rep by pinching your shoulder blades.

START

- Sit on the bench facing Power Rod® unit, with your posterior near the back (leg extension) end of the bench.
- Grasp the Hand Grips, palms facing each other.
- Place your heels on the edge of the Standing Platform and bend your knees comfortably.

ACTION

- Initiate the movement by pinching your shoulder blades together.
- Pull your upper arms downward and backward, brushing past the sides of the body while keeping your forearms pointing in the direction of the cable.
- Slowly return to the Start position.

Stiff-Arm Pulldown – Shoulder Extension (elbow stabilized)

Muscles worked:

Latissimus Dorsi; Teres Major; Rear Deltoids; Lower Trapezius; Biceps

Bench Position:

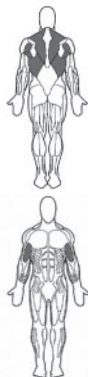
Removed

Accessory:

Bent Lat Bar

Pulleys:

Lat Tower



Success Tips

- Keep your lats tightened throughout the entire motion.
- Keep your chest lifted and maintain spinal alignment, keeping a very slight arch in your lower back.
- Release your shoulder blades at the end of each rep. Initiate each new rep by depressing your shoulder blades.
- Keep your elbows nearly straight (do not lock elbows) throughout exercise.

START

- Straddle the Seat Rail facing the Power Rod® unit.
- Grasp the Bent Lat Bar with your palms facing down.
- Step back slightly, making sure that there is enough movement in the cable to complete your full range of motion with this exercise.
- Bend slightly from hips, lift chest and tighten your abs to stabilize spine.

ACTION

- Initiate the movement by lowering your shoulder blades, bringing them down and together.
- Keep your arms straight, moving your hands downward in an arc and slowly in toward your thighs.
- Slowly return to the Start position without relaxing muscle tension.

Bent Over Row

Muscles worked:

Latissimus Dorsi; Teres Major;
Rear Deltoids; Biceps

Bench Position:

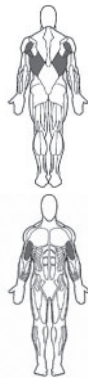
Removed

Accessory:

Squat Bar Attachment

Pulleys:

Squat Pulley Frame



Success Tips

- Keep knees bent and feet flat on floor.
- Do not bend your torso forward.
- Keep your chest lifted and maintain spinal alignment.
- Release your shoulder blades at the end of each rep. Initiate each new rep by pinching your shoulder blades.

START

- Stand on platform. Reach down and grasp the Squat attachment with palms facing backward.
- Let your arms hang extending in the direction of the pulleys.
- Keep back flat and knees bent.

ACTION

- Begin your motion by moving elbows back as you bring the hand grips to a point below your chest line.
- Slowly reverse the motion, keeping knees bent and back flat.

Triceps Pushdown – Elbow Extension

Muscles worked:

Triceps

Bench Position:

Removed

Accessory:

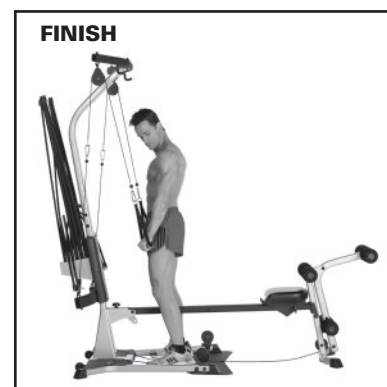
Bent Lat Bar

Pulleys:

Lat Tower



START



FINISH

Success Tips

- Keep your upper arms motionless and your wrists straight.
- Keep your chest lifted, abs tight and maintain a slight arch in lower back.
- Tighten the triceps throughout the exercise, using controlled motion.

START

- Straddle the Seat Rail, facing the Power Rod® unit.
- Grasp the Bent Lat Bar, palms facing down.
- Stand approximately 2-3 feet or .6-.9 m from Lat Tower (adjust for comfort).
- Bring hands in front of you, keeping the Lat Bar approximately at rib level.
- Bend over slightly from hips, shoulders directly over hands.

ACTION

- Keeping your upper arms stationary, elbows next to trunk, slowly push your arms downward in a gentle arc until hands are near tops of your thighs.
- Keeping your triceps tightened, slowly reverse the arcing motion and bring the Bent Lat Bar back to the Start position.

Single Arm Pushdown – Elbow Extension

Muscles worked:

Triceps

Bench Position:

Removed

Accessory:

Hand Grips

Pulleys:

Lat Tower



START



FINISH

Success Tips

- Keep your upper arms motionless and your wrists straight.
- Keep your chest lifted, abs tight and maintain a slight arch in lower back.
- Tighten the triceps throughout the exercise, using controlled motion.

START

- Straddle the Seat Rail facing the Power Rod® unit, and grasp one Hand Grip, palm facing up.
- Stand approximately 1-2 feet or .3-.6 m from Lat Tower (adjust for comfort).
- Bring your arm in front of you, keeping the Hand Grip at chest level.
- Bend over slightly from hips, so that your shoulder is directly over your hand.

ACTION

- Keeping your upper arm stationary, elbow next to trunk, slowly push your arm downward in a gentle arc until your hand is near top of the thigh.
- Keeping your triceps tightened, slowly reverse the arcing motion, bringing the Hand Grip back to the Start position.

French Press – Elbow Extension overhead

Muscles worked:

Triceps

Bench Position:

Flat Bench Back

Accessory:

Hand Grips

Pulleys:

Chest Bar



Success Tips

- Keep your upper arms motionless and your wrists straight.
- Keep your chest lifted and maintain spinal alignment, keeping a very slight arch in your lower back.
- Tighten the triceps throughout the exercise, using controlled motion.

START

- Sit on the bench facing away from the Power Rod® unit, keeping knees bent and feet flat on floor.
- Reach behind and grasp one or both of the Hand Grips, palms facing inward.
- Draw arms up until elbows are pointing forward, hands behind head.

ACTION

- Keeping your upper arms stationary, straighten your elbows, bringing your hands overhead, palms facing out.
- Stop your motion before your elbows are completely straight, and then reverse your motion, slowly returning to the Start position without relaxing muscle tension.

Lying Triceps Extension – Elbow Extension

Muscles worked:

Triceps

Bench Position:

Flat Bench Back

Accessory:

Hand Grips

Pulleys:

Chest Bar



Success Tips

- Keep your chest lifted and maintain a very slight arch in your lower back.
- Keep knees bent and feet flat on floor.
- Keep your upper arms motionless and your wrists straight.
- Tighten the triceps throughout the exercise, using controlled motion throughout the exercise.

START

- Lie on the bench, head toward the Power Rod® unit, knees bent and feet flat on the floor.
- Reach overhead and grasp the Hand Grips, palms facing upward.
- Keep your hands up, near your shoulders, spreading your back and shoulders into the bench.
- Raise your chest and pinch your shoulder blades together.

ACTION

- Keeping your arms stationary, slowly straighten your elbows, bringing your hands in an arcing motion until they are approximately 1 foot or .3 m above your thighs.
- Slowly reverse the arcing motion bringing your hands back to the Start position.

Cross Triceps Extension

Muscles worked:

Triceps

Bench Position:

45° incline

Accessory:

Hand Grips

Pulleys:

Chest Bar



START



FINISH

Success Tips

- Keep your upper arm motionless and your wrists straight.
- Keep your chest lifted, pinch your shoulder blades together and maintain a slight arch in lower back.
- Tighten the triceps throughout the exercise, using controlled motion.

START

- Sit facing away from the Power Rod® unit.
- Reach one hand over the opposite shoulder (right hand over left and vice versa) and grasp a Hand Grip. Bend your elbow until your hand is above your chest, palm facing the floor.
- With your free hand, stabilize the active hand at the elbow.

ACTION

- Keeping your upper arm stationary, straighten your elbow, slowly extending your arm outward, using an arcing motion and stopping approximately 90° from your chest.
- Keeping your triceps tightened, slowly reverse the arcing motion and bring your arm back to the Start position.

Lying 45° Triceps Extension – Elbow Extension

Muscles worked:

Triceps

Bench Position:

Flat Bench Back

Accessory:

Hand Grips

Pulleys:

Chest Bar



START



FINISH

Success Tips

- Keep your upper arms motionless and your wrists straight throughout the entire exercise.
- Keep your chest lifted, spine aligned, and a slight arch in your lower back.
- Tighten the triceps throughout the exercise, using controlled motion.

START

- Lie flat on the Bench, head toward the Power Rod® unit. Keep your knees bent and your feet flat on the floor.
- Reach overhead and grasp the Hand Grips, palms facing up.
- Keep your elbows bent, bringing your upper arms to the front, at approximately a 45° angle from the front of your torso.

ACTION

- Keeping your upper arms stationary and next to your torso, straighten your arms in an arcing motion inward and down toward your legs.
- Fully straighten your arms and then, with a controlled motion, slowly bring your arms back to the Start position without moving your upper arms.

Seated Triceps Extension – Elbow Extension

Muscles worked:

Triceps

Bench Position:

Flat Bench Back

Accessory:

Hand Grips

Pulleys:

Chest Bar



START



FINISH

Success Tips

- Keep knees bent, feet flat on the floor.
- Lay your head back against the bench.
- Keep your chest lifted, shoulders pinched together, and a very slight arch in your lower back.
- Keep your upper arms and shoulders motionless and your wrists straight.
- Tighten the triceps throughout the exercise, using controlled motion.

START

- Sit facing away from the Power Rod® unit.
- Using an overhand grip, reach behind you and grasp the Hand Grips, bending your elbows until your hands are near the top of your head, palms facing up.
- Keep your arms in line with the cables.

ACTION

- Keeping your upper arms stationary, slowly straighten your elbows moving your arms in an arcing motion upward, over your head until they are approximately 90° from your torso.
- Stop the motion before your elbows are completely straight, and then reverse your motion, slowly returning to the Start position without relaxing muscle tension.

Standing Biceps Curl – Elbow Flexion (in supination)

Muscles worked:

Biceps

Bench Position:

Removed

Accessory:

Hand Grips

Pulleys:

Chest Bar



START



FINISH

Success Tips

- Keep your chest lifted, abs tight and a very slight arch in your lower back.
- Keep your elbows at your sides and your wrists straight.

START

- Straddle the Seat Rail, facing the Power Rod® unit.
- Reach down and grasp the Hand Grips, palms facing forward.
- Straighten, keeping your arms by your sides, elbows loose.

ACTION

- Keeping your upper arms stationary and your elbows at your sides, slowly curl the Hand Grips forward, then upward and in towards your shoulders.
- Slowly reverse the arcing motion bringing your hands back to the Start position.

Seated Biceps Curl – Flexion (in supination)

Muscles worked:

Biceps

Bench Position:

Flat Bench Back

Accessory:

Hand Grips

Pulleys:

Chest Bar



START



FINISH

Success Tips

- Keep your upper body motionless and your wrists straight.
- Keep your chest lifted, trunk muscles tight and maintain a slight arch in lower back.
- Keep your spine aligned throughout movement.

START

- Sit on the bench, facing the Power Rod® unit. Keep one foot flat on the floor, and bend the other leg, bringing your foot up onto the bench, knee slightly turned outward.
- With the arm on the same side as your lifted leg, reach forward and grasp a Hand Grip, keeping your elbow bent. Allow your upper arm (not elbow) to rest on the elevated knee.

ACTION

- Slowly curl your forearm up toward your shoulder, keeping the upper arm completely still.
- Keeping your biceps tightened, slowly reverse the curling motion and bring your arm back to the Start position.

Lying Biceps Curl – Elbow Flexion (in supination)

Muscles worked:

Biceps; Brachialis; Brachioradialis

Bench Position:

Flat Bench Forward

Accessory:

Hand Grips

Pulleys:

Chest Bar



START



FINISH

Success Tips

- Keep your upper arms motionless and your wrists straight throughout the entire exercise.
- Keep your chest lifted, spine straight, and a slight arch in your lower back.

START

- Sit on the bench, facing the Power Rod® unit. Keep your knees bent and feet flat on the floor.
- Grasp the Hand Grips, keeping your arms straight and palms up.
- Lie back completely with your head supported by the bench.

ACTION

- Curl the Hand Grip forward and up, toward your shoulder, making sure to keep your upper arm completely motionless and your elbows at your sides.
- Slowly bring your arm back to the Start position, maintaining the same arc of motion.

Seated Wrist Extension

Muscles worked:

Forearms

Bench Position:

Flat Bench Back

Accessory:

Hand Grips

Pulleys:

Chest Bar



START



FINISH

Success Tips

- Move slowly and keep tension in the back of the forearms at all times.
- Keep your chest lifted, trunk muscles tightened, and a very slight arch in your lower back.
- You may perform this exercise one arm at a time to make it easier to focus and isolate the back of your forearms, or with both arms simultaneously to save time.

START

- Sit facing the Power Rod® unit with your knees bent, feet together and flat on the bench. Sit far back enough on the bench to maintain physical and cable tension throughout exercise.
- Grasp the Hand Grips, palm facing down, and rest your mid-forearms on your lower thighs, keeping your elbows flared slightly to the side.

ACTION

- Slowly curl the back of your fists backward towards your forearms.
- Stop when wrists are 90° from forearms or when you experience discomfort.
- Slowly return to the Start position.

Standing Wrist Curl

Muscles worked:

Biceps; Forearms

Bench Position:

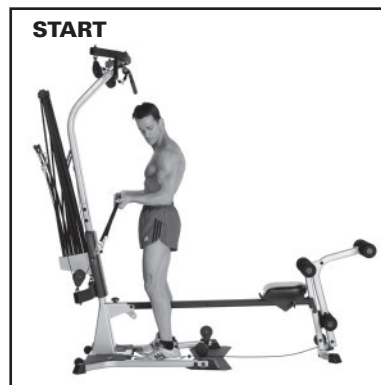
Removed

Accessory:

Hand Grips

Pulleys:

Chest Bar



START



FINISH

Success Tips

- Keep your chest lifted, trunk muscles tight and a very slight arch in your lower back.
- Move slowly, keeping tension in the front of your forearms at all times.
- Do not increase or decrease the bend in your elbow during this exercise—keep all motion in the wrist.
- Do not rock your body back and forth during wrist motion.

START

- Straddle the Seat Rail, facing the Power Rod® unit.
- Reach down and grasp the Hand Grips, palms facing forward.
- Straighten, keeping your upper arms and elbows by your sides, elbows loose.
- Bend your elbows 90°, palms up, and maintain that position throughout the entire exercise.

ACTION

- With your upper arms stationary and your elbows at your sides, slowly curl your fists toward the front of your forearms.
- Keeping your forearms still, slowly let your fists return to the Start position.

Reverse Curl – Elbow Flexion (in pronation)

Muscles worked:

Brachialis; Brachioradialis; Biceps

Bench Position:

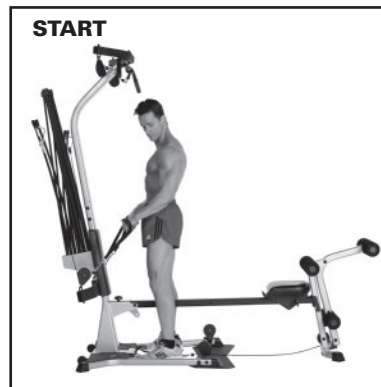
Removed

Accessory:

Hand Grips

Pulleys:

Chest Bar



START



FINISH

Success Tips

- Keep your upper body motionless, elbows at your sides and your wrists straight.
- Keep your trunk muscles tight and maintain a slight arch in lower back.

START

- Straddle the Seat Rail, facing the Power Rod® unit.
- Reach down and grasp the Hand Grips, palms facing backward.
- Straighten, keeping your upper arms and elbows by your sides, elbows loose.

ACTION

- Keeping your palms facing down, use your forearms to slowly bend your elbows, curling the Hand Grips forward, then upward and in towards your shoulders.
- Keep your elbows at your sides and your upper arms completely still.
- Slowly reverse the curling motion and bring your arms back to Start position.

Seated Wrist Curl – Wrist Flexion

Muscles worked:

Forearms

Bench Position:

Flat Bench Back

Accessory:

Hand Grips

Pulleys:

Chest Bar



START



FINISH

Success Tips

- Move slowly, keeping tension in the front of the forearms at all times.
- Keep your chest lifted, trunk muscles tightened, and a slight arch in your lower back.
- You can perform this exercise one arm at a time to make it easier to focus and isolate the front of your forearms, or you can perform it with both arms simultaneously to save time.

START

- Sit facing the Power Rod® unit with your knees bent, feet together and flat on the bench. Sit far back enough on the bench to maintain physical and cable tension throughout exercise.
- Grasp the Hand Grips, palm facing up, and rest your mid-forearms on your lower thighs, allowing the wrists to bend downward.

ACTION

- Slowly curl your fists towards the front of your forearms.
- Return to the Start position slowly, without relaxing the muscle tension in your wrists.

Standing Wrist Extension

Muscles worked:

Forearms; Brachialis

Bench Position:

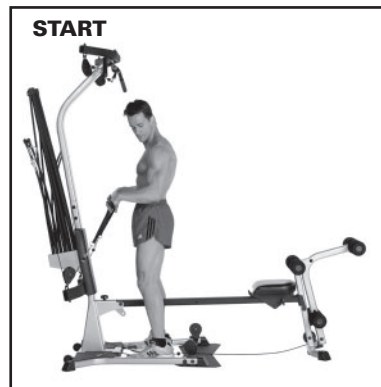
Removed

Accessory:

Hand Grips

Pulleys:

Chest Bar



START



FINISH

Success Tips

- Move slowly and keep tension in the wrists at all times.
- Keep your chest lifted, trunk muscles tightened, and a very slight arch in your lower back.
- Do not increase or decrease the bend in your elbow—perform the entire motion at your wrist.
- Do not rock your body during this exercise.

START

- Straddle the Seat Rail, facing the Power Rod® unit.
- Reach down and grasp the Hand Grips, palms facing backward.
- Straighten, keeping your upper arms and elbows by your sides.
- Bend your elbows 90°, and hold that position for the duration of this exercise.

ACTION

- Slowly curl the back of your fists backward towards your forearms.
- Stop when wrists are 90° from forearms or when you experience discomfort.
- Keeping your forearms still, slowly return to the Start position.

“Rope” Pushdown – Elbow Extension

Muscles worked:

Triceps

Bench Position:

Removed

Accessory:

Hand Grips

Pulleys:

Lat Tower



START



FINISH

Success Tips

- Keep your upper arms motionless and your wrists straight.
- Keep your chest lifted, abs tight and maintain a slight arch in lower back.
- Tighten the triceps throughout the exercise, using controlled motion.
- Keep your chest lifted, trunk muscles tightened, and a very slight arch in your lower back.

START

- Straddle the Seat Rail, facing the Power Rod® unit.
- With each hand, grasp the opposite Hand Grip (right to left, etc.), palms facing down.
- Stand approximately 2-3 feet or .6-.9 m from Lat Tower (adjust for comfort).
- Cross the cables, palms facing each other, as if grabbing a rope.
- Keep your elbows bent, upper arms at your sides.

ACTION

- Keeping your upper arms stationary, elbows next to trunk, slowly straighten your arms downward, in a gentle arc, until hands are near tops of your thighs, hands and elbows straightened and directly in line with shoulders.
- Keeping your triceps tightened, slowly reverse the arcing motion and bring the Hand Grips back to the Start position.

Reverse Crunch – Spinal Flexion

Muscles worked:

Rectus Abdominus

Bench Position:

Flat Bench Back

Accessory:

None

Pulleys:

None



START



FINISH

Success Tips

- Keep your upper body, knees and hips stationary. Relax your neck.
- Tighten your abs before you move.
- Allow exhalation up and inhalation down without exaggerating breathing.
- Contract as far into the movement as possible. Lower under control. Keep abs tight during entire motion.

START

- Lie on the bench, head toward the Power Rod® unit, grasp bench for support.
- Bend your hips and knees until your legs are in a “seated” position as shown above—knees and hips at 90° angles.
- If maintaining this position is difficult, adjust to one you can maintain for the duration of this exercise. As you strengthen, this position will become easier.

ACTION

- Tighten your abs, and then slowly curly your hips toward your rib cage. Move as far as you can without using your legs to get momentum.
- Do not curl up onto your shoulder blades.
- Slowly reverse the motion, returning to the Start position without relaxing.

Resisted Reverse Crunch – Spinal Flexion

Muscles worked:

Rectus Abdominus; Obliques

Bench Position:

Flat Bench Forward

Accessory:

Ankle Cuffs

Pulleys:

Chest Bar



START



FINISH

Success Tips

- Allow exhalation up and inhalation down without exaggerating breathing.
- Do not “kick” into the motion, but allow body to slowly initiate movement.
- Tighten your abs throughout the entire exercise, relaxing only at the end of each set. Keep hips and knees motionless.
- Move slowly to eliminate momentum.

START

- Face the Power Rod® unit, and attach an Ankle Cuff to each ankle.
- Lie back on the bench, head away from the Power Rod® unit.
- Bend your hips and knees at 90° angles, as shown.
- Reach behind your head and grasp the Seat.
- Relax your neck.

ACTION

- Tighten your abs and slowly curl your hips toward your rib cage. Move as far as you can without using your legs or curling onto your shoulder blades.
- Slowly reverse the motion, returning to the Start position without relaxing your abs.

Seated (Resisted) Abdominal Crunch – Spinal Flexion

Muscles worked:

Rectus Abdominus; Obliques

Bench Position:

45° incline

Accessory:

Hand Grips

Pulleys:

Chest Bar



START



FINISH

Success Tips

- Do not lift your head or chin—your head should follow the rib motion rather than lead it. Maintain normal neck posture.
- Tighten your abs throughout the entire exercise, relaxing only at the end of each set.
- Move slowly to eliminate momentum.
- Allow exhalation up and inhalation down without exaggerating breathing.

START

- Grasp the Hand Grips in both hands, drawing them over your shoulders. Rest the back of your fists on your chest or shoulders, palms facing up.
- Lower back can start out flat or in a normal arch, knees and hips are bent and feet should be flat on the floor.

ACTION

- Tighten your abs and curl only your torso, slowly moving your ribs toward your hips. Move as far as you can without moving your hips or neck.
- Do not allow your lower back to lose contact with the bench during this entire exercise.
- Slowly reverse the motion, returning to the Start position without relaxing your abs.

Seated (Resisted) Oblique Abdominal Crunch – Spinal Flexion/Rotation

Muscles worked:

Rectus Abdominus; Obliques

Bench Position:

45° incline

Accessory:

Hand Grips

Pulleys:

Chest Bar



START



FINISH

Success Tips

- Do not lift your head or chin—your head should follow the rib motion rather than lead it. Maintain normal neck posture.
- Tighten your abs throughout the entire exercise, relaxing only at the end of each set.
- Move slowly to eliminate momentum.
- Allow exhalation up and inhalation down without exaggerating breathing.

START

- Cross one arm over the opposite shoulder, grasp a Hand Grip, and rest the hand on your shoulder or chest, palm facing down.
- Lower back can start out flat or in a normal arch, knees and hips are bent and feet should be flat on the floor.

ACTION

- Tighten your abs on the side with the active arm, focusing on the side of your ribs to the front of your pelvis on that side.
- Slowly move diagonally, rotating torso away from the side holding the Hand Grip, ribs turned toward the front of your pelvis.
- Crunch as deeply as you can, keeping lower back on bench.
- Slowly reverse to the Start position without resting.

Trunk Rotation

Muscles worked:

Rectus Abdominus; Obliques;
Serratus Anterior

Bench Position:

Flat Bench Back

Accessory:

None

Pulleys:



Success Tips

- Keep chest lifted, shoulders pinched, abs tight and slight arch in lower back.
- This exercise must be performed correctly—failure to do so could result in injury. Use only low weight Rods.
- Keep all motion in your torso.
- Move only as far as your muscles will take you—do not use momentum to increase your range of motion

START

- Sit sideways on the bench, one side toward the Power Rod® unit. Grasp Hand Grip closest to you with both hands.
- Raise both arms up near shoulder level, hands extended over the leg closest to the Power Rod® unit.
- Keep your elbows slightly bent.

ACTION

- Tighten your entire abdominal area and slowly rotate your rib cage and arms away from the Power Rod® unit 30-40°, as if you were rotating with a rod through the middle of your spine.
- Slowly reverse the motion, returning to the Start position without relaxing muscle tension.

Leg Exercises

Squat — Knee Extension, Hip Extension, Ankle Plantarflexion

Muscles worked:

Although the squat is often considered a total body exercise, the glutes, adductors, hamstrings and quads are primary movers and the spinal erectors are key to stabilization.

Bench Position:

Removed.

Accessory:

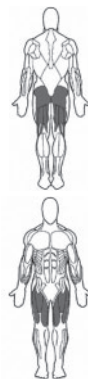
Squat Bar – w/squat straps

Pulley Position:

Low Pulley

Success Tips

- Keep knees pointed the same direction as the toes.
- Keep the head/neck in line with the trunk.
- Never attempt to exercise with more resistance than you are physically able to handle.



START

- Remove back support and place seat in free sliding position.
- Sit on seat facing Power Rod® unit and position bar across the shoulders (not on the neck). Maintain a grip on each side of the bar.
- Flatten your back, keep your chest up and position your feet in line with the cable/pulley.
- Place your feet wider than hip width and point your toes outward slightly. Direct the thighs to the same outward angle as the feet.

ACTION

- While keeping your back straight, tighten your abs and move to a standing position.
- Keep the pressure through the middle of the arches/feet.
- Using control, slowly squat down by sticking the hips out as the knees start to bend. Keep the chest up and back flat as the hips continue to move backward.
- Lower to approximately 90 degrees at the knees

Leg Extension

Muscles worked:

Quadriceps

Bench Position:

Leg Extension Seat

Accessory:

None

Pulleys:

Leg Extension

Leg Extension:

Engaged

Success Tips

- Use slow, controlled motion—do not “kick” into the extension.
- Do not let your knees rotate outward during the exercise. Keep kneecaps pointing up and straight forward.



START

- Sit on the Leg Extension Seat with your knees near the pivot point and the lower roller pads in front of your shins (see Start image above).
- Adjust your thighs to hip-width, pointing your knee caps forward.
- Grasp the sides of the seat to stabilize yourself.
- Sit up straight, chest lifted, abs tight and a slight arch in your lower back.



ACTION

- Tighten your quads and slowly straighten your legs, moving your feet forward then upward until your legs are completely straight and your kneecaps point upward to the ceiling.
- Slowly reverse the motion, returning to the Start position without relaxing your quads.

Lying Leg Extension

Muscles worked:

Quadriceps

Bench Position:

Flat Bench Forward

Accessory:

Ankle Cuff

Pulleys:

Chest Bar

Success Tips

- Keep your chest lifted, spine aligned, abs tight and a very slight arch in your lower back.
- Keep your upper thigh motionless throughout this exercise.



START

- Sit on bench, facing the Power Rod® unit. Secure Ankle Cuff around one ankle (don't cross cables).
- Lie back on the bench, head supported. Bend the active leg approximately 90° (tall users will need to modify this position).
- Clasp your hands around the active thigh behind the knee, and brace the inactive leg on the bench or the floor.



ACTION

- Slowly straighten your leg, moving only your knee and lower leg. Do not lock your knee.
- Slowly return to the Start position without relaxing your quadriceps.

Ankle Eversion

Muscles worked:

Peroneals

Bench Position:

Flat Bench Forward

Accessory:

Ankle Cuff

Pulleys:

Chest Bar Pulleys



Success Tips

- Movement should occur only at the ankle—keep the rest of your body motionless.
- Keep abs tight and do not lift your hips or excessively arch your back.
- You should feel tension in the outside of your calf throughout the entire motion

START

- Sit on the Bench, with one side to the Power Rod® unit.
- Attach an Ankle Cuff around the ball of the outside foot (furthest from pulley).
- Straighten the attached leg and sit up straight.
- Allow the foot to rotate toward the Power Rod® unit, keeping tension in the cables.

ACTION

- Slowly rotate your foot outward, away from Power Rod® unit.
- Then, maintaining tension, slowly return to the Start position.

Ankle Inversion

Muscles worked:

Tibialis Anterior and Posterior

Bench Position:

Flat Bench Forward

Accessory:

Ankle Cuff

Pulleys:

Chest Bar Pulleys



Success Tips

- Movement should occur only at the ankle—keep the rest of your body motionless.
- Keep abs tight and do not lift your hips or excessively arch your back.
- You should feel tension in the inside of your calf throughout the entire motion

START

- Sit on the Bench, with one side to the Power Rod® unit.
- Attach an Ankle Cuff around the ball of the inside foot (closest to pulley).
- Straighten the attached leg and sit up straight.
- Allow the foot to rotate toward the Power Rod® unit, keeping tension in the cables.

ACTION

- Slowly rotate your foot outward, away from Power Rod® unit.
- Then, maintaining tension, slowly return to the Start position.

Standing Hip Extension – (knee flexed)

Muscles worked:

Gluteus Maximus

Bench Position:

Removed

Accessory:

Ankle Cuff

Pulleys:

Chest Bar



START



FINISH

Success Tips

- Keep your chest lifted, spine aligned, abs tight and a very slight arch in your lower back.
- Do not bend from waist or lower back.

START

- Stand to one side of the Seat Rail, facing the Power Rod® unit.
- Secure the Ankle Cuff around the ankle furthest from the rail. Bend this leg approximately 90°.
- Bend forward 30-40° from your hips (not your waist) and very slightly bend the knee of your supporting leg.

ACTION

- Initiate the movement by tightening your glutes and slowly pivoting your leg from your hip. Move your entire leg backward, to a straight position.
- Slowly move your leg as far as you can, without allowing any movement at the waist or lower back.
- Slowly return to Start position.

Standing Hip Extension – (knee stabilized)

Muscles worked:

Gluteus Maximus; Biceps Femoris;
Semimembranosus; Semitendinosus

Bench Position:

Removed

Accessory:

Ankle Cuff

Pulleys:

Chest Bar



START



FINISH

Success Tips

- Keep your chest lifted, spine aligned, abs tight and a very slight arch in your lower back.
- Do not bend from waist or lower back.
- Keep your knee stabilized in the 90° angle position.

START

- Stand to one side of the Seat Rail, facing the Power Rod® unit.
- Secure the Ankle Cuff around the ankle furthest from the rail.
- Bend forward 30-40° from your hips (not your waist) and very slightly bend the knee of your supporting leg.

ACTION

- Initiate the movement by tightening your glutes and slowly pivoting your leg from your hip. Move your entire leg backward and then lift it slightly behind you.
- Slowly move your leg as far as you can, without allowing any movement at the waist, knee or lower back.
- Slowly return to Start position.

Standing Hip Abduction

Muscles worked:

Gluteus Maximus

Bench Position:

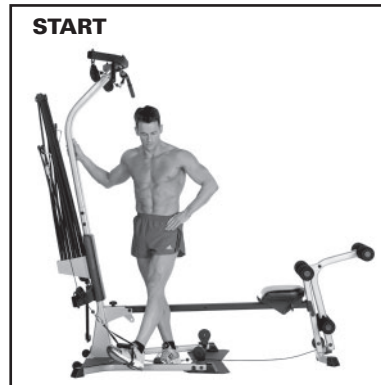
Removed

Accessory:

Ankle Cuff

Pulleys:

Chest Bar



START



FINISH

Success Tips

- Keep your chest lifted, spine aligned, abs tight and a slight arch in your lower back.
- Do not bend from waist or lower back.
- Keep your abs tight throughout movement.
- Keep working leg straight or only very slightly bent.
- Use only a small range of motion.

START

- Stand to one side of the Seat Rail, one side next to Power Rod® unit.
- Secure Ankle Cuff around the ankle furthest from the Power Rod® unit. Keep leg straightened, but knee loose.
- Adjust your position so that there is some tension in the cables at the start of this exercise.
- You may use your hand on the Lower Lat Tower or Chest Bar to stabilize movement.

ACTION

- Slowly move the attached leg outward, away from the Power Rod® unit, at a 30-45° angle, keeping your hips and spine motionless.
- Slowly return to the Start position without relaxing tension in your leg.
- Keep your hips level during movement.

Seated Hip Adduction

Muscles worked:

Adductor Longus; Gluteus Medius

Bench Position:

Flat Bench Back

Accessory:

Ankle Cuff

Pulleys:

Chest Bar



START



FINISH

Success Tips

- Do not cross the attached leg in front of the stabilized leg.
- Keep abs tight and do not lift your hips or excessively arch your back.
- Keep your spine straight and your hips level—do not raise your hips during motion.
- Use only a small range of motion.

START

- Sit sideways on the bench and attach an Ankle Cuff to the ankle closest to the Power Rod® unit.
- Sit far enough from the Power Rod® unit that there is tension in the cable at the start of the exercise.
- Lift leg with cuff in front of you, at a 45° angle from your trunk (toward Power Rod® unit)—do not lock your knee.
- You may hold onto the bench for added stability.

ACTION

- Slowly move the attached leg to move inward, toward the center as you face forward, keeping your hips and spine perfectly still.
- Keeping the leg still, slowly move it back into the Start position.

Seated Hip Abduction

Muscles worked:

Piriformis; Gluteus Maximus

Bench Position:

Flat Bench Forward

Accessory:

Ankle Cuff

Pulleys:

Chest Bar



START



FINISH

Success Tips

- Keep your spine straight and your hips level—do not raise your hips during motion.
- Use only a small range of motion.
- Keep your hips motionless throughout this exercise.

START

- Sit sideways on the bench and attach an Ankle Cuff to the ankle farthest from the Power Rod® unit.
- Sit far enough from the Power Rod® unit that there is tension in the cable at the start of the exercise.
- Lift leg with cuff in front of you, at a 45° angle from your trunk (toward Power Rod® unit)—do not lock your knee.
- You may hold onto the bench for added stability.

ACTION

- Slowly allow the attached leg to move outward, away from the Power Rod® unit, keeping your hips and spine perfectly still.
- Keeping the leg still, slowly move it back into the Start position.

Standing Leg Kickback — Hip and Knee Extension

Muscles worked:

Gluteus Maximus

Bench Position:

Removed

Accessory:

Ankle Cuff

Pulleys:

Chest Bar



START



FINISH

Success Tips

- Keep your chest lifted, spine aligned, abs tight and a very slight arch in your lower back.
- Do not bend from waist or lower back.

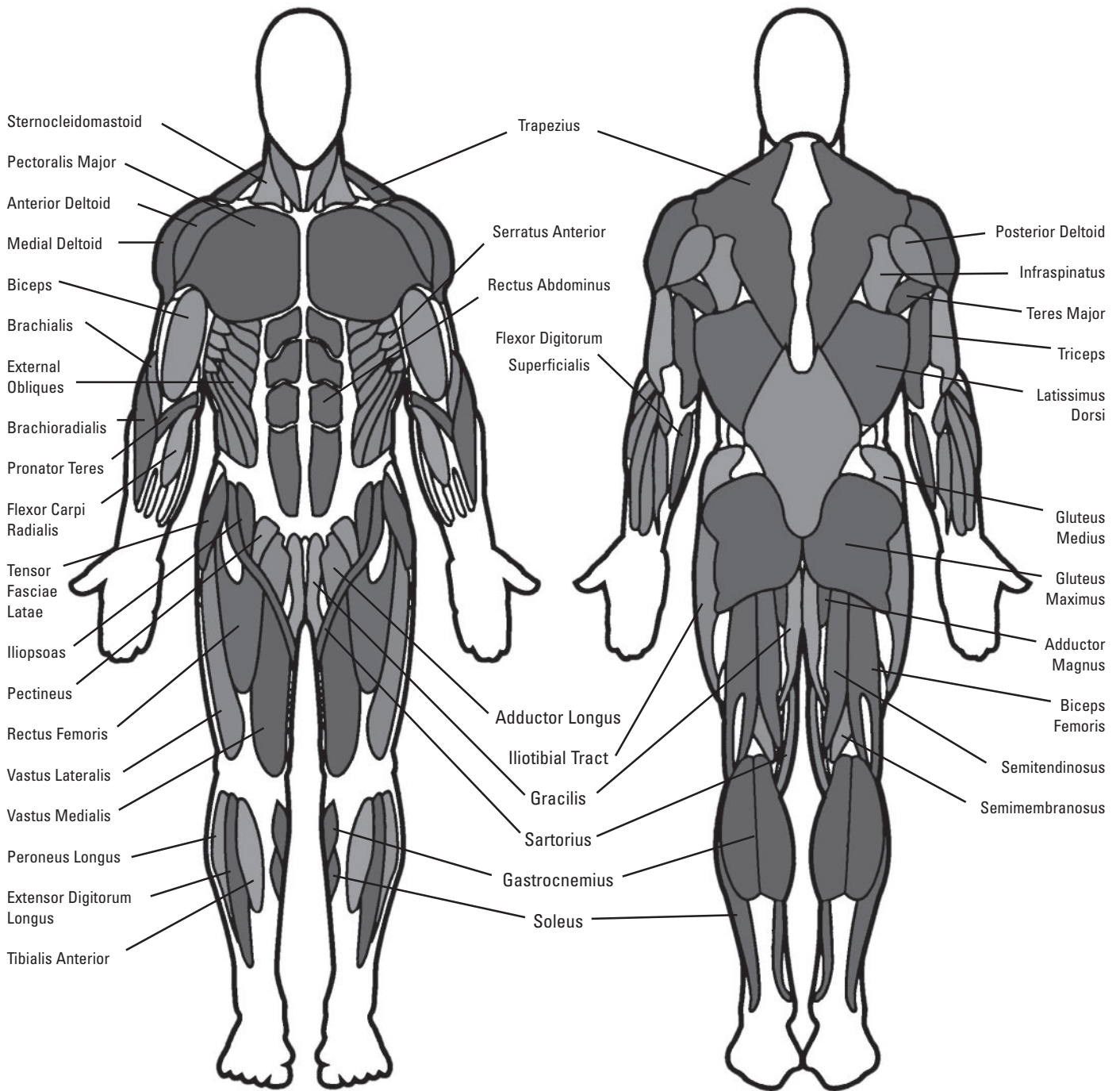
START

- Stand to one side of the Seat Rail, facing the Power Rod® unit.
- Secure the Ankle Cuff around the ankle furthest from the rail. Bend this leg approximately 90°.
- Bend forward 30-40° from your hips (not your waist) and very slightly bend the knee of your supporting leg.

ACTION

- Extend the active leg backwards, straightening the knee.
- Slowly move your leg as far as you can, without allowing any movement at the waist, knee or lower back.
- Slowly return to the Start position.

Muscle Chart



Warranty Information

What Does This Warranty Cover?

Nautilus warrants to the original purchaser of the BowFlex Elite™ Plus home gym that the BowFlex Elite™ Plus home gym is free from defects in materials and workmanship, when used for the purpose intended, under normal conditions. This warranty is extended only to the original purchaser and is not transferable or applicable to any other person.

How Long Does Warranty Coverage Last?

Residential: 5 Years on machine, No-Time-Limit Warranty on Power Rod® unit.

Commercial : This warranty is void if BowFlex Elite™ Plus is used in a Commercial Environment.

This warranty covers all defects in material or workmanship of the BowFlex Elite™ Plus home gym. Warranties do not cover commercial or institutional use or misuse and abuse by the consumer. To make this warranty effective, you must completely fill out the BowFlex Elite™ Plus home gym Warranty Registration Card within 30 days of purchase and return it to the address on the Warranty Registration Card.

Warranty Does Not Cover

- A BowFlex Elite™ Plus home gym purchased for commercial or institutional use.
- Damage due to use by persons who weigh more than 300 pounds (136 kg).
- Damage due to abuse, accident, failure to follow instructions or warnings in the Owner's Manual, misuse, mishandling, accident or Acts of God (such as floods, tornadoes, power surges, etc.).
- Damage due to normal wear and tear.

What Nautilus Will Do

During your Warranty Coverage Period, Nautilus will repair any BowFlex Elite™ Plus home gym that proves to be defective in materials or workmanship. In the event repair is not possible, Nautilus will either replace your BowFlex Elite™ Plus home gym or refund your purchase price, less shipping and handling. Nautilus reserves the right to substitute material of equal or better quality if identical materials are not available at the time of service under this Warranty. The replacement of the product under the terms of the Warranty in no way extends the Warranty period.

Service Support

Call to speak to a Nautilus Representative at 1-800-NAUTILUS (800-628-8458) or write to Bowflex® at 16400 S.E. Nautilus Drive, Vancouver, Washington, USA 98683. You may need to return the defective part, at your expense, to the address given to you by a Nautilus Representative. Always include an explanation of the problem. Adequate protective packaging of the defective parts or unit and cost of shipping are your responsibility.

The repaired part or unit will be returned to you at the company's expense.

How State Law Applies

This warranty gives you specific legal rights, and you may also have other rights, which vary from state to state.

What Is Covered

Nautilus warrants to the original purchaser of the BowFlex Elite™ Plus home gym that the BowFlex Elite™ Plus home gym is free from defects in materials or workmanship, with the exceptions stated below. This warranty is not transferable or applicable to any person other than the original purchaser and is only applicable for products sold and used in the United States or Canada or Mexico. Tampering with the unit will void the warranty.

BowFlex Elite™ Plus Home Gym

- 5 years on machine
- No-Time-Limit Warranty on Power Rod® unit

Warranties Do Not Cover

- A BowFlex Elite™ Plus home gym purchased for

commercial or institutional use.

- Damage due to use by persons who weigh more than 300 pounds (136 kg).
- Damage due to abuse, accident, failure to follow instructions or warnings in the Owner's Manual, misuse, mishandling, accident or Acts of God (such as floods or power surges).
- Damage due to normal wear and tear.

What We Will Do

During your Warranty Coverage Period, Nautilus will repair any BowFlex Elite™ Plus home gym that proves to be defective in materials or workmanship. In the event repair is not possible, Nautilus will either replace your BowFlex Elite™ Plus home gym or refund your purchase price, less shipping and handling.

Service Support

Call to speak to a Nautilus Representative at 1-800-NAUTILUS (800-628-8458) or write to Bowflex® at 16400 S.E. Nautilus Drive, Vancouver, Washington, USA 98683. You may need to return the defective part, at your expense, to the address given to you by a Nautilus Representative. Always include an explanation of the problem. Adequate protective packaging of the defective parts or unit and cost of shipping are your responsibility.

The repaired part or unit will be returned to you at the company's expense.

How State Law Applies

This warranty gives you specific legal rights, and you may also have other rights which vary from state to state.



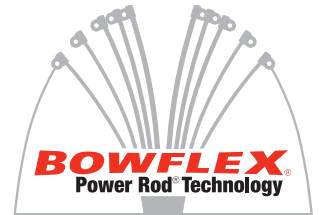
Please fold over and tape before mailing



Please fold over and tape before mailing

**Place
Stamp
Here**

**BOWFLEX Elite™ Plus Home Gym
16400 S.E. Nautilus Drive
Vancouver, Washington, USA 98683**



BOWFLEX **ELITE PLUS**

This manual is written and designed by industry professionals. If you have any questions regarding your BowFlex Elite™ Plus Home Gym or any instructions found in this manual, please call 1-800-NAUTILUS (800-628-8458) for assistance.